

4

3

2

1

MATERIAL & FINISH:

- 1 BODY: BRASS, GOLD PLATED
- 2 CENTER CONTACT: BERYLLIUM COPPER ALLOY, GOLD PLATED
- 3 INSULATOR: PTFE

ENVIRONMENTAL DATA:

- 1 TEMPERATURE RANGE: -55°C~+125°C
- 2 2011/65/EU (RoHS): COMPLIANT

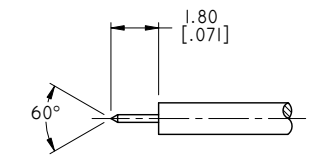
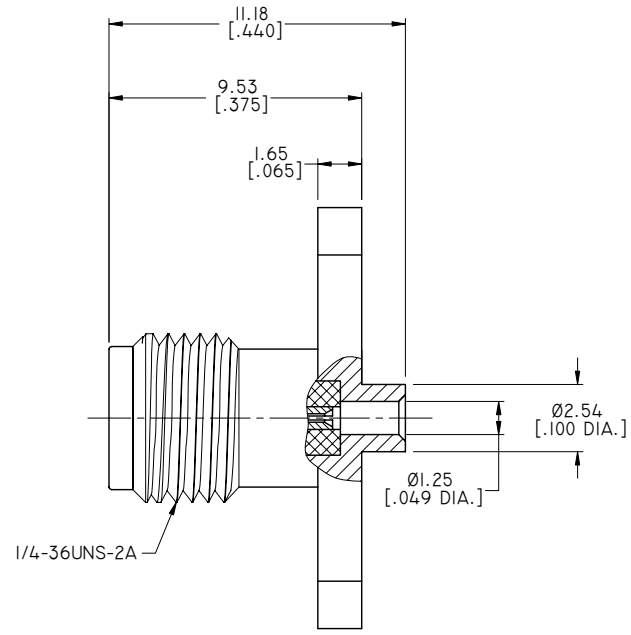
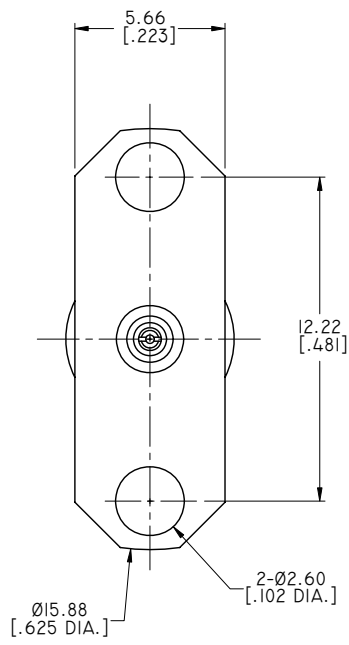
ELECTRICAL DATA:

- 1 IMPEDANCE: 50 Ω
- 2 FREQUENCY RANGE: DC~18 GHz

APPLICABLE STANDARDS:

- 1 MIL-STD-348 & MIL-C-39012

REVISIONS			
REV.	DESCRIPTION	DATE	APPROVED
A	INITIAL RELEASE	08/18/16	J. QU



CABLE STRIPPING DIMENSIONS

DRAWN	X. B. YANG	DATE	08/18/16
CHECKED	L. YANG	DATE	08/18/16
APPROVED	J. QU	DATE	08/18/16
UNLESS OTHERWISE SPECIFIED DIMENSIONS ARE IN MILLIMETERS. DIMENSIONS IN [] ARE IN INCHES FOR CUSTOMER REFERENCE ONLY UNLESS OTHERWISE SPECIFIED TOLERANCE ARE:		THESE DRAWINGS AND SPECIFICATIONS ARE THE PROPERTY OF ANOISON ELECTRONICS LTD AND SHOULD NOT BE USED WITHOUT WRITTEN PERMISSION COPYRIGHT © 2016 ANOISON ELECTRONICS LTD	
.XX	±0.08 [.003"]		
.X	±0.20 [.008"]		
X	±0.50 [.019"]		
.X°	±1°		
X°	±2°		



TITLE			
SMA STRAIGHT FEMALE, 2 HOLE FLANGE, SOLDER FOR SR047 CABLE WITH CAPTIVE CONTACT			
VIEW		PART NO.	
		ANO 2112-3400	
SIZE	SCALE	SHEET	REV.
A3	5:1	1/1	A

4

3

2

1