

MATERIAL & FINISH:

- 1 BODY: BRASS, GOLD PLATED
- 2 CENTER CONTACT: BERYLLIUM COPPER ALLOY, GOLD PLATED
- 3 INSULATOR: PTFE

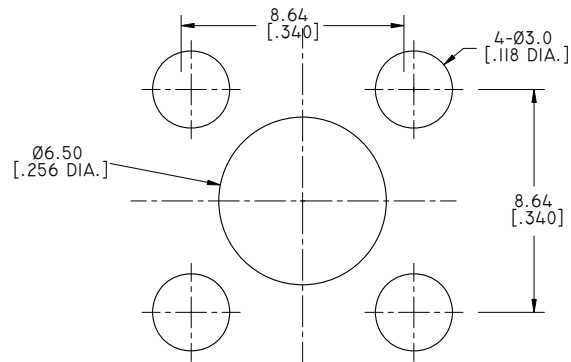
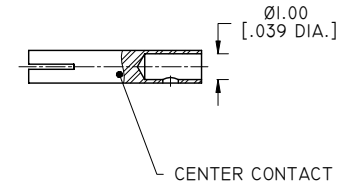
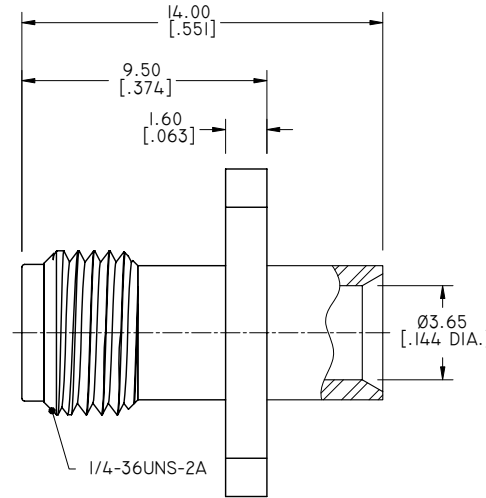
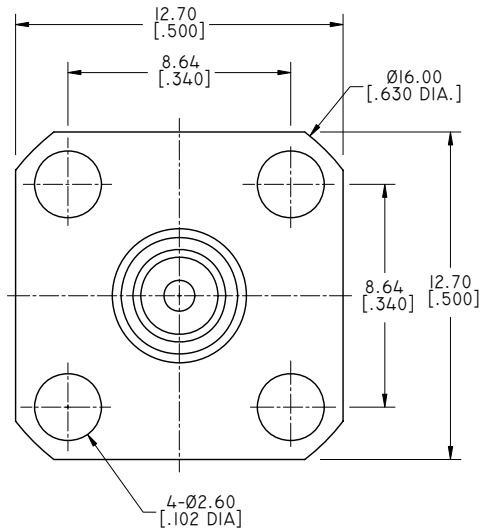
ENVIRONMENTAL DATA:

- 1 TEMPERATURE RANGE: -40°C~+125°C
- 2 2011/65/EU (RoHS): COMPLIANT

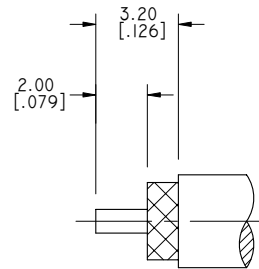
ELECTRICAL DATA:

- 1. IMPEDANCE: 50 Ω
- 2. FREQUENCY RANGE: DC-26.5 GHZ
- 3. VSWR: ≤1.30 TYP \*

REVISIONS			
REV.	DESCRIPTION	DATE	APPROVED
A	INITIAL RELEASE	07/22/16	J. QU
B	CHANGED STRUCTURE	12/23/16	J. QU
C	CHANGED MATERIAL	06/04/18	J. QU



RECOMMENDED MOUNTING HOLE



CABLE STRIPPING DIMENSIONS

\*USERS ARE CAUTIONED THAT PERFORMANCE IS DEPENDENT ON THE SPECIFIC CABLE SELECTED AND CABLE PREPARATION AND TERMINATION WHICH IS BEYOND THE CONTROL OF ANOISON ELECTRONICS.

DRAWN	P. CHEN	DATE	06/04/18	
CHECKED	L. YANG	DATE	06/04/18	
APPROVED	J. QU	DATE	06/04/18	
<small>UNLESS OTHERWISE SPECIFIED DIMENSIONS ARE IN MILLIMETERS, DIMENSIONS IN [ ] ARE IN INCHES FOR CUSTOMER REFERENCE ONLY UNLESS OTHERWISE SPECIFIED TOLERANCE ARE:</small>				<small>THESE DRAWINGS AND SPECIFICATIONS ARE THE PROPERTY OF ANOISON ELECTRONICS LTD AND SHOULD NOT BE USED WITHOUT WRITTEN PERMISSION COPYRIGHT © 2018 ANOISON ELECTRONICS LTD</small>
<small>.XX ±0.13 [.005"] .X ±0.20 [.008"] X ±0.50 [.019"] .X° ±1° X° ±2°</small>				
TITLE				<b>SMA STRAIGHT FEMALE FLANGE 4-HOLE, SOLDER FOR .141 CABLE</b>
PART NO.				
VIEW				ANO 2112-3398
SIZE		SCALE	SHEET	REV.
A3		5:1	1/1	C