

**MATERIAL & FINISH:**

- 1 BODY: SEE TABLE
- 2 CENTER CONTACT: BERYLLIUM COPPER ALLOY, GOLD PLATED
- 3 INSULATOR: PTFE

**ELECTRICAL DATA:**

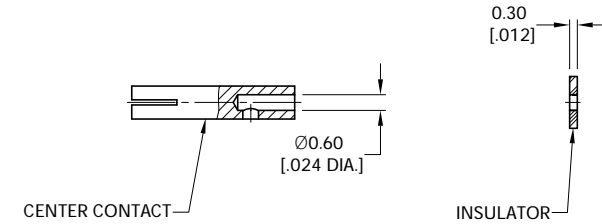
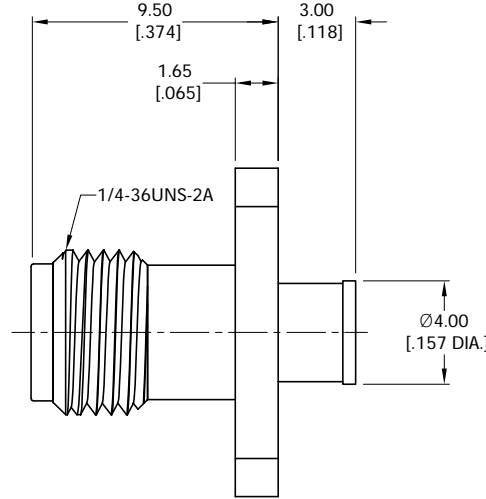
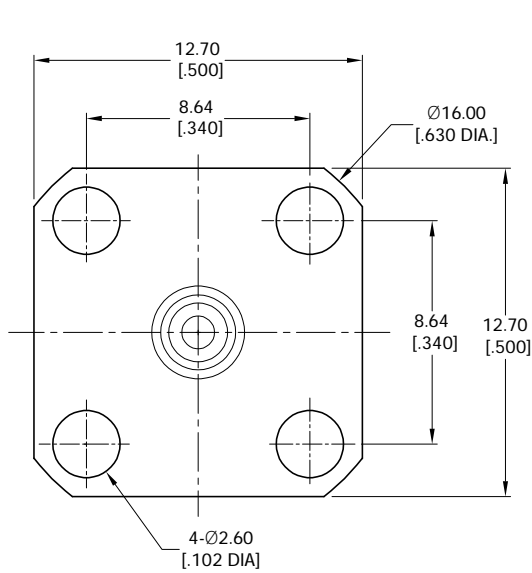
- 1 IMPEDANCE: 50 Ω
- 2 FREQUENCY RANGE: DC~18 GHz
- 3 VSWR: 1.25 TYP. \*

**ENVIRONMENTAL DATA:**

- 1 TEMPERATURE RANGE: -55°C ~+125°C
- 2 2011/65/EU(RoHS) AND 2015/863/(RoHS): COMPLIANT
- 3 1907/2006/EC(REACH): COMPLIANT

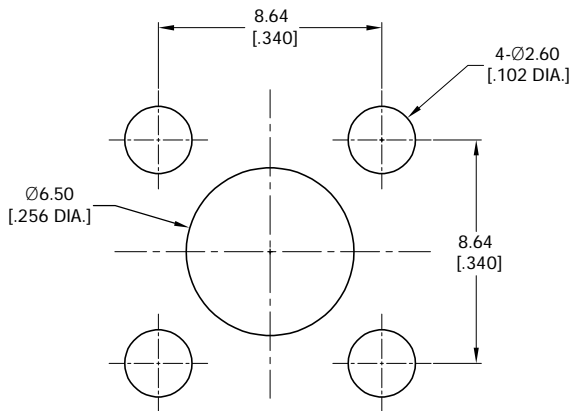
**REVISIONS**

REV.	DESCRIPTION	DATE	APPROVED
A	INITIAL RELEASE	07/22/16	J. Q
B	PART NO. ANO 2112-3397-1 ADDED	08/23/17	J. Q
C	RECOMMENDED MOUNTING HOLE: Ø6.50 [.256 DIA.] WAS Ø4.20 [.165 DIA.]	06/12/25	J. Q

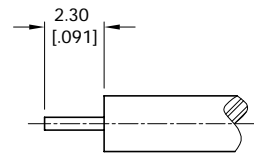


TABLE

PART NO.	PART	MATERIAL	FINISH
ANO 2112-3397	BODY	BRASS	GOLD
ANO 2112-3397-1		STAINLESS STEEL	



RECOMMENDED MOUNTING HOLE



CABLE STRIPPING DIMENSIONS

\*USERS ARE CAUTIONED THAT PERFORMANCE IS DEPENDENT ON THE SPECIFIC CABLE SELECTED AND CABLE PREPARATION AND TERMINATION WHICH IS BEYOND THE CONTROL OF ANOISON ELECTRONICS.

DRAWN X. Y	DATE 06/12/25						
CHECKED W. Y	DATE 06/12/25						
APPROVED J. Q	DATE 06/12/25						
<small>UNLESS OTHERWISE SPECIFIED DIMENSIONS ARE IN MILLIMETERS. DIMENSIONS IN [ ] ARE IN INCHES FOR CUSTOMER REFERENCE ONLY UNLESS OTHERWISE SPECIFIED TOLERANCE ARE:                  .XX ±0.13 [.005"]                  .X ±0.20 [.008"]                  X ±0.50 [.019"]                  X° ±1°                  X° ±2°</small>		<small>THESE DRAWINGS AND SPECIFICATIONS ARE THE PROPERTY OF ANOISON ELECTRONICS LTD AND SHOULD NOT BE USED WITHOUT WRITTEN PERMISSION                  COPYRIGHT © 2025 ANOISON ELECTRONICS LTD</small>		TITLE <b>SMA FEMALE, 4 HOLE FLANGE MOUNT                  .340 INCH HOLE SPACING, SOLDER FOR .086 CABLE</b>			
VIEW 		PART NO. ANO 2112-3397		SIZE A3	SCALE 5:1	SHEET 1/1	REV. C