

MATERIAL & FINISH:

- 1 BODY: BRASS, ALBALOY PLATED
- 2 CENTER CONTACT: BERYLLIUM COPPER ALLOY, GOLD PLATED
- 3 INSULATOR: PTFE
- 4 CAPTURE BEAD: PEI

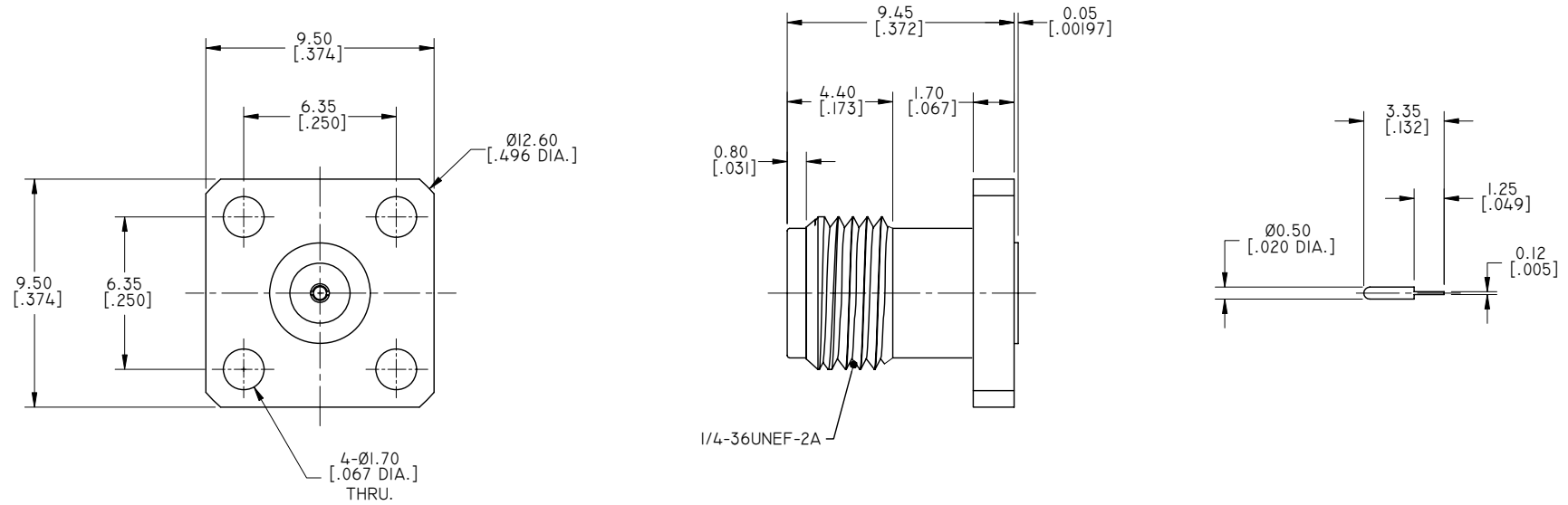
ENVIRONMENTAL DATA:

- 1 TEMPERATURE RANGE: -40°C~+120°C
- 2 2011/65/EU (RoHS): COMPLIANT

ELECTRICAL DATA:

- 1 IMPEDANCE: 50 Ω
- 2 FREQUENCY RANGE: DC~26.5 GHZ

REVISIONS			
REV.	DESCRIPTION	DATE	APPROVED
A	INITIAL RELEASE	01/22/16	J. QU



DRAWN	X. B. YANG	DATE	01/22/16
CHECKED	L. YANG	DATE	01/22/16
APPROVED	J. QU	DATE	01/22/16
UNLESS OTHERWISE SPECIFIED DIMENSIONS ARE IN MILLIMETERS. DIMENSIONS IN [] ARE IN INCHES FOR CUSTOMER REFERENCE ONLY UNLESS OTHERWISE SPECIFIED TOLERANCE ARE:		THESE DRAWINGS AND SPECIFICATIONS ARE THE PROPERTY OF ANOISON ELECTRONICS LTD AND SHOULD NOT BE USED WITHOUT WRITTEN PERMISSION COPYRIGHT © 2016 ANOISON ELECTRONICS LTD	
.XX	±0.13 [.005"		
.X	±0.20 [.008"		
X	±0.50 [.019"		
.X°	±1°		
X°	±2°		



TITLE			
SMA FEMALE, 4 HOLE .374 FLANGE MOUNT RECEPTACLE 26.5 GHZ			
VIEW		PART NO.	
		ANO 2112-3372	
SIZE	SCALE	SHEET	REV.
A3	5:1	1/1	A