

4 3 2 1

REVISIONS

REV.	DESCRIPTION	DATE	APPROVED
A	INITIAL RELEASE	11/22/15	J. QU
B	ADDED BODY PLATING	07/12/21	J. QU

MATERIAL & FINISH:

- 1 BODY: SEE TABLE
- 2 CENTER CONTACT: BERYLLIUM COPPER ALLOY, GOLD PLATED
- 3 INSULATOR: PTFE

ELECTRICAL DATA:

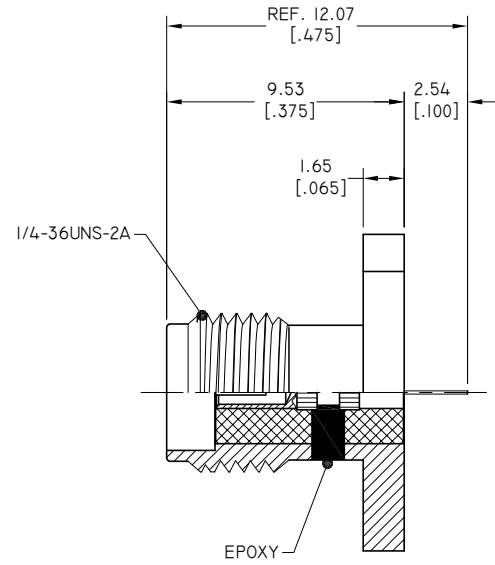
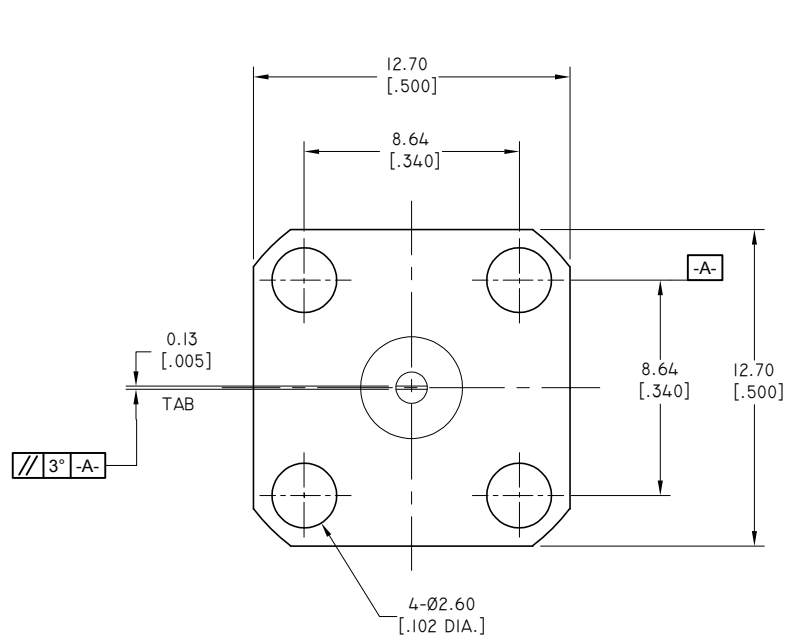
- 1 IMPEDANCE: 50 Ω
- 2 FREQUENCY RANGE: DC-18 GHZ
- 3 VSWR: 1.20 MAX.
- 4 INSERTION LOSS: 0.03XF(GHZ) DB MAX.
- 5 RF LEAKAGE: -(100-F(GHZ)) DB
- 6 WITHSTANDING VOLTAGE: 1000 VRMS MIN.
- 7 VOLTAGE RATING (VRMS): 500V
- 8 INSULATION RESISTANCE: ≥5000MΩ
- 9 CONTACT RESTANCE:
 CENTER CONTACT: 3.0 OHMS
 OUTER CONDUCTOR: 2.0 OHMS

ENVIRONMENTAL DATA:

- 1 TEMPERATURE RANGE: -40°C~+85°C
- 2 2011/65/EU (RoHS): COMPLIANT

MECHANICAL DATA:

- 1 ENGAGE/DISENGAGE TORQUE: 2 INCH-POUNDS MAX.
- 2 MATING TORQUE: 7-10 INCH-POUNDS
- 3 CONTACT RETENTION: 6 LBS MIN. AXIAL FORCE
 4 IN-OZ MIN. RADIAL TORQUE
- 4 DURABILITY: >500 CYCLES



PART NO.	PART	MATERIAL	FINISH
ANO 2112-3364-1	BODY	STAINLESS STEEL	PASSIVATED
ANO 2112-3364-2		STAINLESS STEEL	GOLD

DRAWN	X. B. YANG	DATE	07/12/21
CHECKED	L. YANG	DATE	07/12/21
APPROVED	J. QU	DATE	07/12/21
UNLESS OTHERWISE SPECIFIED DIMENSIONS ARE IN MILLIMETERS, DIMENSIONS IN [] ARE IN INCHES FOR CUSTOMER REFERENCE ONLY UNLESS OTHERWISE SPECIFIED TOLERANCE ARE:		THESE DRAWINGS AND SPECIFICATIONS ARE THE PROPERTY OF ANOISON ELECTRONICS LTD AND SHOULD NOT BE USED WITHOUT WRITTEN PERMISSION COPYRIGHT © 2021 ANOISON ELECTRONICS LTD	
.XX	±0.13 [.005"]		
.X	±0.20 [.008"]		
X	±0.50 [.019"]		
.X°	±1°		
X°	±2°		



TITLE			
SMA FEMALE, 4 HOLE FLANGE MOUNT, TAB CONTACT			
VIEW	PART NO.		
	ANO 2112-3364		
SIZE	SCALE	SHEET	REV.
A3	5:1	1/1	B

4 3 2 1