

1.0 MATERIAL & FINISH

- 1.1 BODY: STAINLESS STEEL, PASSIVATED
- 1.2 CENTER CONTACT: BERYLLIUM COPPER ALLOY, GOLD PLATING
- 1.3 INSULATOR: PTFE
- 1.4 CAPTURE BEAD: ULTEM 1000

2.0 ENVIRONMENTAL DATA:

- 2.1 TEMPERATURE RANGE: -55°C~+165°C
- 2.2 2011/65/EU(RoHS): COMPLIANT

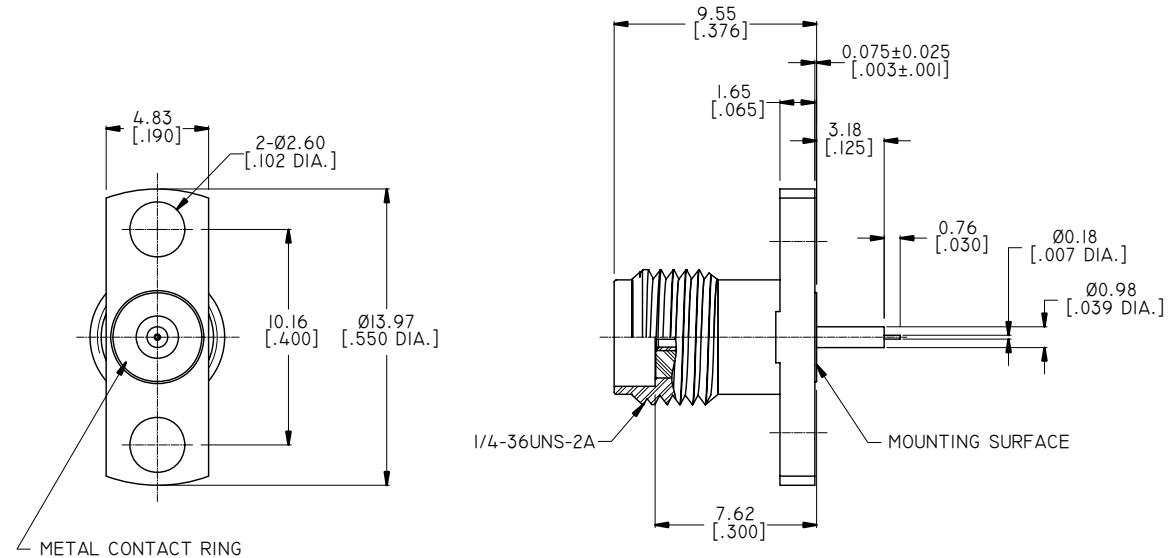
3.0 ELECTRICAL SPECIFICATIONS:

- 3.1 IMPEDANCE: 50 Ω
- 3.2 FREQUENCY RANGE: DC~27GHZ
- 3.3 VSWR: ≤1.10 AT DC~18GHZ
≤1.15 AT 18~27GHZ
- 3.4 INSERTION LOSS: 0.035 √F (GHZ) DB MAX.
- 3.5 WORKING VOLTAGE: 335 VRMS MAX. AT SEA LEVEL
- 3.6 DIELECTRIC WITHSTAND VOLTAGE: 1000 VRMS MIN.
- 3.7 R.F. HIPOT VOLTAGE: 670 VRMS MIN. AT 5MHZ
- 3.8 CORONA LEVEL: 250 VRMS AT 70,000 FT
- 3.9 INSULATION RESISTANCE: 5000 MEGAOHMS MIN.
- 3.10 CONTACT RESISTANCE:
CENTER CONDUCTOR:
BEFORE ENVIRONMENTAL: 6.0 MILLIOHMS
AFTER ENVIRONMENTAL: 8.0 MILLIOHMS
OUTER CONDUCTOR:
BEFORE 2.0 MILLIOHMS

4.0 MECHANICAL:

- 4.1 MATING CHARACTERISTICS: SMA HIGH PERFORMANCE
- 4.2 FORCE TO ENGAGE: TORQUE: 2 INCH-POUNDS MAX.
- 4.3 CONNECTOR DURABILITY: 500 CYCLES MIN. AT 12 CYCLES/MINUTE MAX.
- 4.4 PERMEABILITY: LESS THAN 2.0 MU
- 4.5 CENTER CONTACT CAPTIVATION:
AXIAL FORCE FROM INTERFACE: 6 POUNDS MIN.
ROTATIONAL CAPTIVATION:
TORQUE: 4 INCH-OUNCES MIN.

REVISIONS			
REV.	DESCRIPTION	DATE	APPROVED
A	INITIAL RELEASE	03/27/15	J. QU
B	DRAWING FORMAT CHANGED	07/27/17	J. QU



DRAWN	P. CHEN	DATE	07/27/17
CHECKED	L. YANG	DATE	07/27/17
APPROVED	J. QU	DATE	07/27/17
UNLESS OTHERWISE SPECIFIED DIMENSIONS ARE IN MILLIMETERS. DIMENSIONS IN [] ARE IN INCHES FOR CUSTOMER REFERENCE ONLY UNLESS OTHERWISE SPECIFIED TOLERANCE ARE:		THESE DRAWINGS AND SPECIFICATIONS ARE THE PROPERTY OF ANOISON ELECTRONICS LTD AND SHOULD NOT BE USED WITHOUT WRITTEN PERMISSION COPYRIGHT © 2017 ANOISON ELECTRONICS LTD	
.XX	±0.13 [0.005"]		
.X	±0.20 [0.008"]		
X	±0.50 [0.019"]		
.X°	±1°		
X°	±2°		



TITLE			
SMA FEMALE, HIGH PERFORMANCE, 2 HOLE FLANGE(4.83X13.97), MOUNT, EXTENDED DIELECTRIC			
VIEW		PART NO.	
		ANO 2112-3336	
SIZE	SCALE	SHEET	REV.
A3	4:1	1/1	B