

MATERIAL & FINISH:

- 1 BODY: STAINLESS STEEL, GOLD PLATED
- 2 CENTER CONTACT: BERYLLIUM COPPER ALLOY, GOLD PLATED
- 3 INSULATOR: PTFE

MECHANICAL DATA:

- 1 MATING CYCLE: 500 MIN.
2 CENTER CONTACT RETENTION
AXIAL FORCE - MATING END: 27 N MIN.
AXIAL FORCE - OPPOSITE END: 27 N MIN.
- 3 TORQUE: 2.8 N.CM MIN.

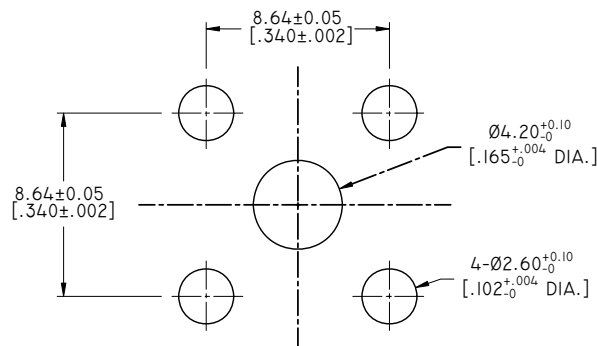
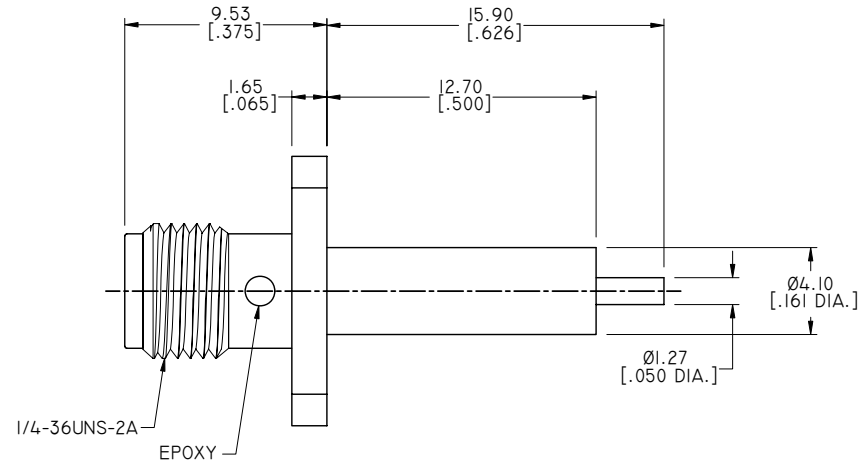
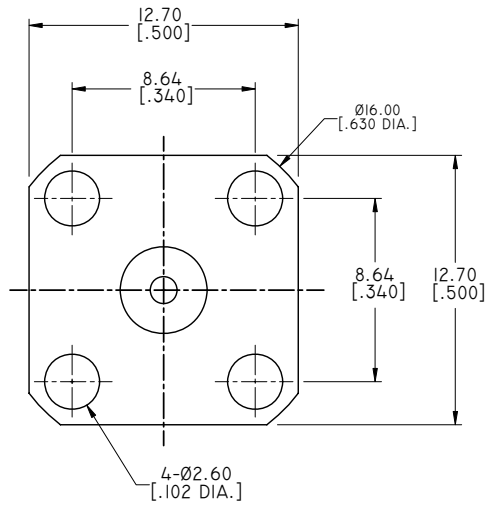
ELECTRICAL DATA:

- 1 IMPEDANCE: 50 Ω
- 2 FREQUENCY RANGE: DC~18 GHZ
- 3 VSWR: 1.20 MAX.
- 4 INSERTION LOSS: 0.35 DB MAX.
- 5 VOLTAGE RATING: 500 VRMS MAX.
- 6 DIELECTRIC WITHSTAND VOLTAGE: 1000 VRMS MIN.
- 7 INSULATION RESISTANCE: 5000 MΩ MIN.

ENVIRONMENTAL DATA:

- 1 TEMPERATURE RANGE: -40°C~+85°C
- 2 2011/65/EU (RoHS): COMPLIANT

REVISIONS			
REV.	DESCRIPTION	DATE	APPROVED
A	INITIAL RELEASE	08/21/14	J. QU
B	ELECTRICAL AND MECHANICAL DATA CHANGED	08/22/14	J. QU
C	OUTLINE DRAWING CHANGED	05/03/18	J. QU



DRAWN	X. B. YANG	DATE	05/03/18
CHECKED	W. YANG	DATE	05/03/18
APPROVED	J. QU	DATE	05/03/18
UNLESS OTHERWISE SPECIFIED DIMENSIONS ARE IN MILLIMETERS. DIMENSIONS IN [] ARE IN INCHES FOR CUSTOMER REFERENCE ONLY UNLESS OTHERWISE SPECIFIED TOLERANCE ARE:		THESE DRAWINGS AND SPECIFICATIONS ARE THE PROPERTY OF ANOISON ELECTRONICS LTD AND SHOULD NOT BE USED WITHOUT WRITTEN PERMISSION COPYRIGHT © 2018 ANOISON ELECTRONICS LTD	
.XX	±0.13 [.005"]		
.X	±0.20 [.008"]		
X	±0.50 [.019"]		
.X°	±1°		
X°	±2°		



TITLE
SMA STRAIGHT FEMALE, 1/2 INCH SQUARE,
4 HOLE FLANGE MOUNT WITH CYLINDRICAL CONTACT

VIEW		PART NO.	
		ANO 2112-3320	
SIZE	SCALE	SHEET	REV.
A3	4:1	1/1	C