

MATERIAL & FINISH:

- 1 BODY: STAINLESS STEEL, PASSIVATED
- 2 CENTER CONTACT: BERYLLIUM COPPER, GOLD PLATED
- 3 INSULATOR: PTFE

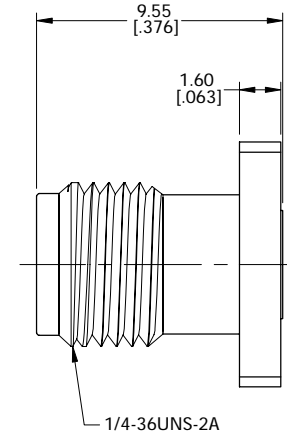
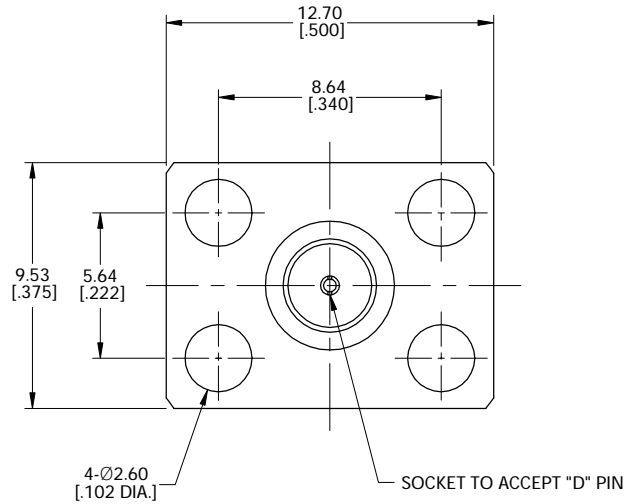
ELECTRICAL DATA:

- 1 IMPEDANCE: 50 Ω
- 2 FREQUENCY RANGE: DC-18 GHz

ENVIRONMENTAL DATA:

- 1 TEMPERATURE RANGE: -55°C ~ +125°C
- 2 2011/65/EU(RoHS) AND 2015/863/(RoHS): COMPLIANT
- 3 1907/2006/EC(REACH): COMPLIANT

REVISIONS			
REV.	DESCRIPTION	DATE	APPROVED
A	INITIAL RELEASE	05/17/14	J. Q
B	CHANGED OVERALL LENGTH	05/20/15	J. Q
C	OUTLINE DRAWING CHANGED	01/31/24	J. Q



PART NO.	D	PIN DEPTH MAX.
ANO 2112-3308-1	Ø0.23 [.009 DIA.]	1.65 [.065]
ANO 2112-3308-2	Ø0.30 [.012 DIA.]	1.91 [.075]
ANO 2112-3308-3	Ø0.38 [.015 DIA.]	2.54 [.100]
ANO 2112-3308-4	Ø0.46 [.018 DIA.]	2.54 [.100]
ANO 2112-3308-5	Ø0.51 [.020 DIA.]	2.54 [.100]
ANO 2112-3308-6	Ø0.91 [.036 DIA.]	2.54 [.100]

DRAWN X. Y	DATE 01/31/24	
CHECKED W. Y	DATE 01/31/24	
APPROVED J. Q	DATE 01/31/24	
UNLESS OTHERWISE SPECIFIED DIMENSIONS ARE IN MILLIMETERS, DIMENSIONS IN [] ARE IN INCHES FOR CUSTOMER REFERENCE ONLY UNLESS OTHERWISE SPECIFIED TOLERANCE ARE:		TITLE SMA STRAIGHT FEMALE, 4-HOLE FLANGE, FIELD RECEPTACLE
.XX ±0.13 [.005"] .X ±0.20 [.008"] X ±0.50 [.019"] .X° ±1° X° ±2°		VIEW
THESE DRAWINGS AND SPECIFICATIONS ARE THE PROPERTY OF ANOISON ELECTRONICS LTD AND SHOULD NOT BE USED WITHOUT WRITTEN PERMISSION COPYRIGHT © 2024 ANOISON ELECTRONICS LTD		PART NO. ANO 2112-3308
SIZE A3	SCALE 5:1	SHEET 1/1
		REV. A