

1.0 MATERIAL & FINISH

- 1.1 BODY: STAINLESS STEEL, PASSIVATEDL
- 1.2 CENTER CONTACT: BERYLLIUM COPPER ALLOY, GOLD PLATING
- 1.3 INSULATOR: PTFE & PEI

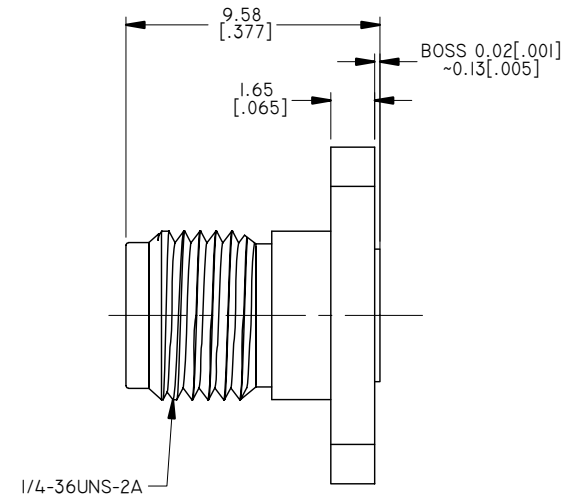
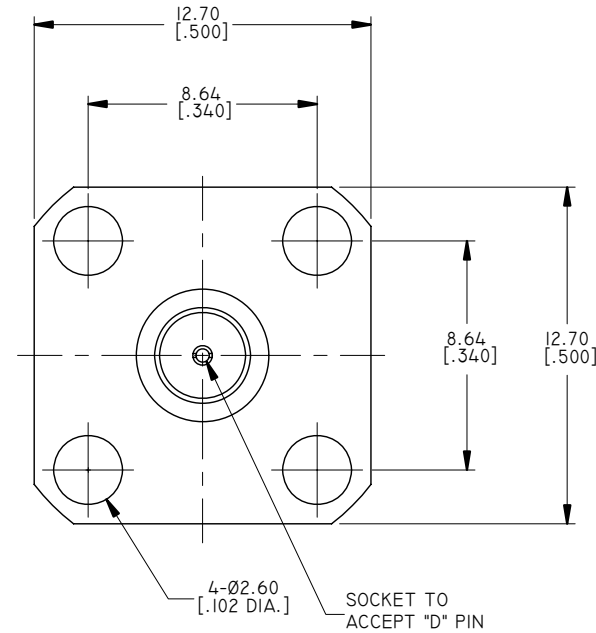
2.0 ENVIRONMENTAL DATA:

- 2.1 TEMPERATURE RANGE: -55°C~+165°C
- 2.2 2011/65/EU (RoHS): COMPLIANT

3.0 ELECTRICAL SPECIFICATIONS:

- 3.1 IMPEDANCE: 50 Ω
- 3.2 FREQUENCY RANGE: DC~27GHZ
- 3.3 VSWR: ≤1.10 AT DC~18GHZ  
≤1.15 AT 18~27GHZ

REVISIONS			
REV.	DESCRIPTION	DATE	APPROVED
B	CHANGED OVERALL LENGTH	05/20/15	J. QU
C	DRAWING FORMAT CHANGED	07/26/17	J. QU



PART NO.	D	MAX. PIN DEPTH
ANO 2112-3307-1	Ø0.23 [.009 DIA.]	1.65 [.065]
ANO 2112-3307-2	Ø0.30 [.012 DIA.]	1.91 [.075]
ANO 2112-3307-3	Ø0.38 [.015 DIA.]	2.54 [.100]
ANO 2112-3307-4	Ø0.46 [.018 DIA.]	2.54 [.100]
ANO 2112-3307-5	Ø0.51 [.020 DIA.]	2.54 [.100]
ANO 2112-3307-6	Ø0.91 [.036 DIA.]	2.54 [.100]

DRAWN	P. CHEN	DATE	07/26/17
CHECKED	L. YANG	DATE	07/26/17
APPROVED	J. QU	DATE	07/26/17
UNLESS OTHERWISE SPECIFIED DIMENSIONS ARE IN MILLIMETERS. DIMENSIONS IN [ ] ARE IN INCHES FOR CUSTOMER REFERENCE ONLY UNLESS OTHERWISE SPECIFIED TOLERANCE ARE:		THESE DRAWINGS AND SPECIFICATIONS ARE THE PROPERTY OF ANOISON ELECTRONICS LTD AND SHOULD NOT BE USED WITHOUT WRITTEN PERMISSION COPYRIGHT © 2017 ANOISON ELECTRONICS LTD	
.XX	±0.13 [.005"]		
.X	±0.20 [.008"]		
X	±0.50 [.019"]		
.X°	±1°		
X°	±2°		



TITLE			
SMA STRAIGHT FEMALE 4 HOLE FLANGE, FIELD REPLACEABLE			
VIEW		PART NO.	
		ANO 2112-3307	
SIZE	SCALE	SHEET	REV.
A3	5:1	1/1	c