

MATERIAL & FINISH:

1. BODY : SS303, PASSIVATED
2. CENTER CONTACT: BERYLLIUM COPPER ALLOY, GOLD PLATED
3. INSULATOR: PTFE & PEI

ELECTRICAL DATA:

1. IMPEDANCE: 50 Ω
2. FREQUENCY RANGE: DC~18 GHz
3. VSWR: 1.10 MAX.
4. DWV: 1500 VRMS AT 60 HZ(SEA LEVEL)
5. VOLTAGE RATING: 500 VRMS(SEA LEVEL)

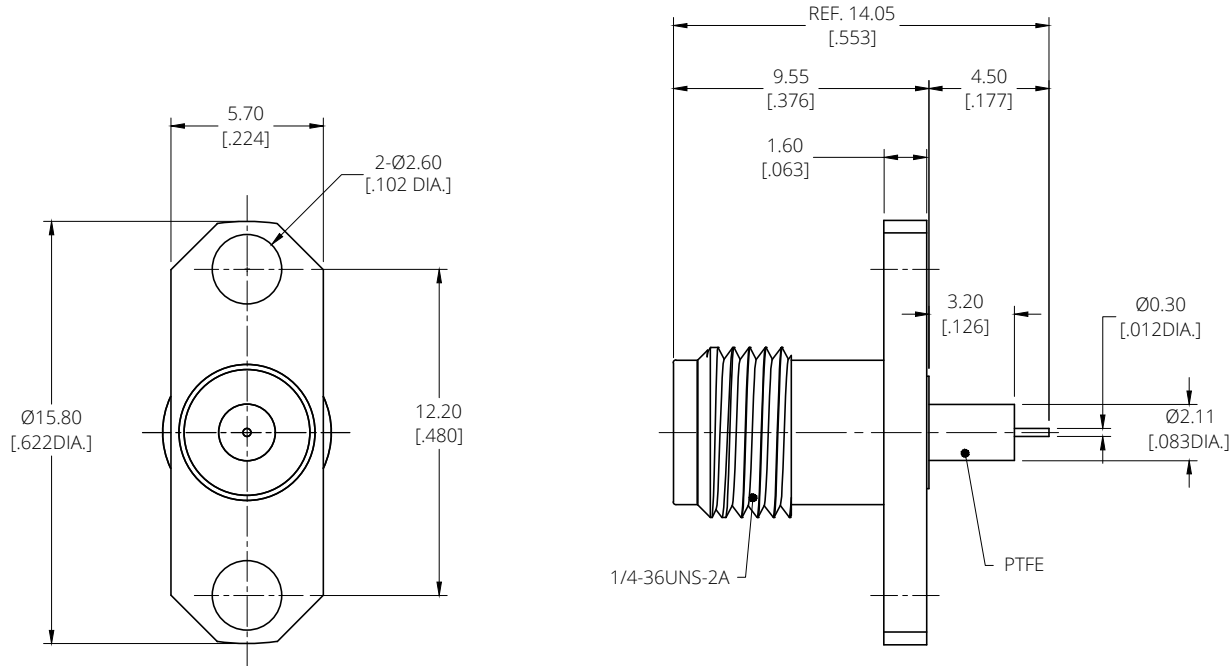
ENVIRONMENTAL DATA:

1. TEMPERATURE RANGE: -65°C~+125°C
2. 2011/65/EU(RoHS) AND 2015/863/(RoHS): COMPLIANT
3. 1907/2006/EC(REACH): COMPLIANT

MACHANICAL DATA:

1. MECHANICAL DURABILITY: 100 CYCLES MIN.
2. CONTACT RETENTION: 6 LBS AXIAL MIN.
3. INSULATOR RETENTION: 6 LBS AXIAL MIN.
4. INTERFACE: PER MIL-STD-348

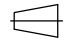

REVISIONS			
REV.	DESCRIPTION	DATE	APPROVED
A	INITIAL RELEASE	03/31/14	J. Q
B	DRAWING FORMAT CHANGED	07/26/17	J. Q
C	CHANGED LENGTH, 9.55 WAS 9.30	06/17/25	J. Q



DRAWN	Y. H	DATE	06/17/25
CHECKED	L. Y	DATE	06/17/25
APPROVED	J. Q	DATE	06/17/25
UNLESS OTHERWISE SPECIFIED DIMENSIONS ARE IN MILLINMETERS, DIMENSIONS IN [] ARE IN INCHES FOR CUSTOMER REFERENCE ONLY UNLESS OTHERWISE SPECIFIED TOLERANCE ARE:		THESE DRAWINGS AND SPECIFICATIONS ARE THE PROPERTY OF ANOISON ELECTRONICS LTD AND SHOULD NOT BE USED WITHOUT WRITTEN PERMISSION COPYRIGHT © 2025 ANOISON ELECTRONICS LTD	
	.XX	±0.13 [005"]	
	.X	±0.20 [008"]	
	X	±0.50 [019"]	
	.X°	±1°	
	X°	±2°	



TITLE
SMA STRAIGHT FEMALE, 2 HOLE FLANGE MOUNT RECEPTACLE, EXTENDED POST AND INS.

VIEW	PART NO. ANO 2112-3301			
 	SIZE A3	SCALE 5:1	SHEET 1/1	REV. C