

MATERIAL & FINISH:

- 1 BODY: SEE TABLE
- 2 CENTER CONTACT: BERYLLIUM COPPER ALLOY, GOLD PLATED
- 3 INSULATOR: PTFE

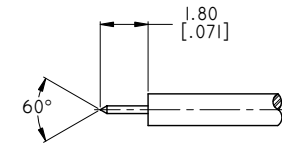
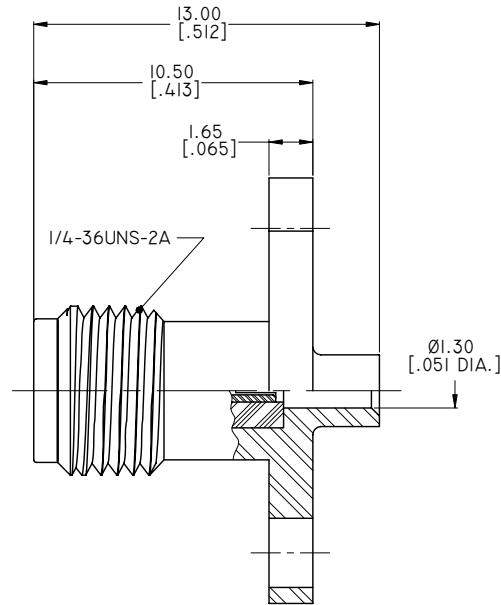
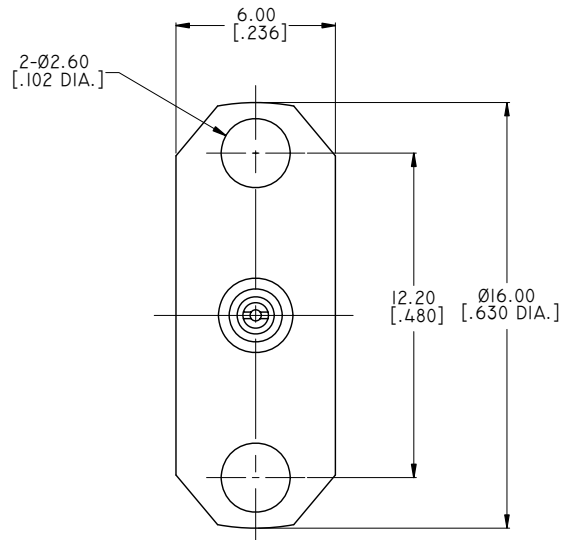
ELECTRICAL DATA:

- 1. IMPEDANCE: 50 Ω
- 2. FREQUENCY RANGE: DC-18GHZ
- 3. VSWR: 1.30 MAX.

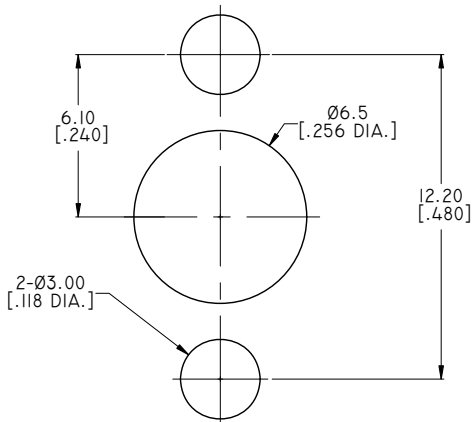
ENVIRONMENTAL DATA:

- 1 TEMPERATURE RANGE: -65°C~+165°C
- 2 2011/65/EU (RoHS): COMPLIANT

REVISIONS			
REV.	DESCRIPTION	DATE	APPROVED
C	PART NO. ADDED	03/14/13	J. QU
D	DRAWING FORMAT CHANGED	08/01/17	J. QU



CABLE STRIPPING DIMENSIONS



RECOMMENDED MOUNTING HOLE

PART NO.	PART	MATERIAL & FINISH
ANO 2112-3265	BODY	BRASS, GOLD PLATED
ANO 2112-3265-1		STAINLESS STEEL, GOLD PLATED

DRAWN	P. CHEN	DATE	08/01/17
CHECKED	L. YANG	DATE	08/01/17
APPROVED	J. QU	DATE	08/01/17
UNLESS OTHERWISE SPECIFIED DIMENSIONS ARE IN MILLIMETERS, DIMENSIONS IN [] ARE IN INCHES FOR CUSTOMER REFERENCE ONLY UNLESS OTHERWISE SPECIFIED TOLERANCE ARE:		THESE DRAWINGS AND SPECIFICATIONS ARE THE PROPERTY OF ANOISON ELECTRONICS LTD AND SHOULD NOT BE USED WITHOUT WRITTEN PERMISSION COPYRIGHT © 2017 ANOISON ELECTRONICS LTD	
.XX	±0.13 [.005"]		
.X	±0.20 [.008"]		
X	±0.50 [.019"]		
.X°	±1°		
X°	±2°		



TITLE SMA STRAIGHT FEMALE, 2 HOLE FLANGE, SOLDER FOR SR047 CABLE WITH CAPTIVE CONTACT				
VIEW	PART NO. ANO 2112-3265			
SIZE A3	SCALE 5:1	SHEET 1/1	REV. D	