

MATERIAL & FINISH:

- 1 BODY: SEE TABLE
- 2 CENTER CONTACT: BERYLLIUM COPPER ALLOY, GOLD PLATED
- 3 INSULATOR: PTFE

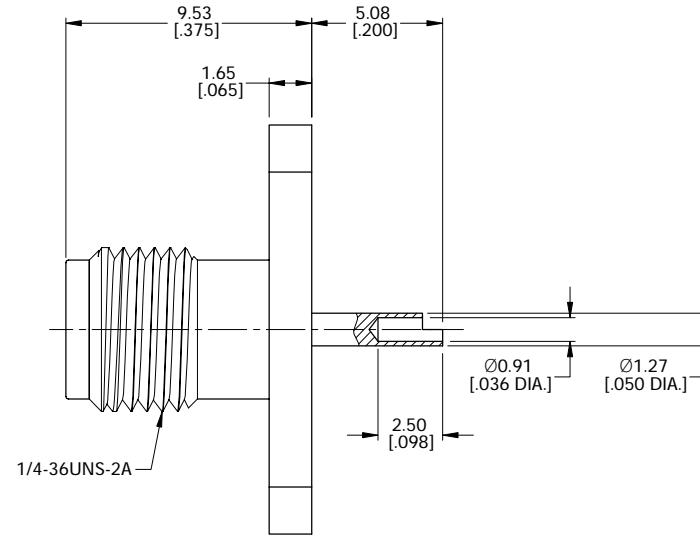
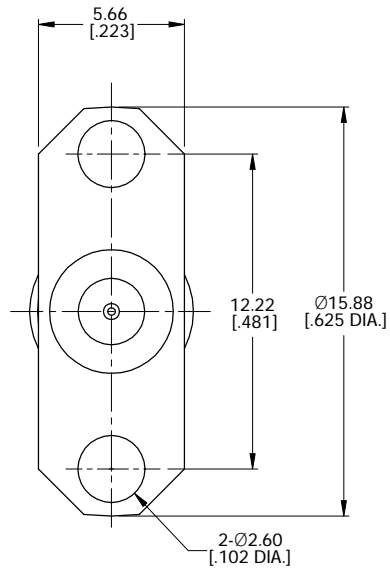
ELECTRICAL DATA:

- 1 IMPEDANCE: 50 Ω
- 2 FREQUENCY RANGE: DC~18 GHz
- 3 VSWR: 1.25 MAX.

ENVIRONMENTAL DATA:

- 1 TEMPERATURE RANGE: -55°C ~ +125°C
- 2 2011/65/EU(RoHS) AND 2015/863/(RoHS): COMPLIANT
- 3 1907/2006/EC(REACH): COMPLIANT

REVISIONS			
REV.	DESCRIPTION	DATE	APPROVED
A	INITIAL RELEASE	05/23/12	J. Q
B	1. 9.53 [.375] WAS 9.43 [.371] 2. DRAWING FORMAT CHANGED	01/29/18	J. Q
C	PART NO. ANO 2112-3204-2	07/18/23	J. Q



TABLE

PART NO.	PART	MATERIAL	FINISH
ANO 2112-3204	BODY	BRASS	GOLD
ANO 2112-3204-1		STAINLESS STEEL	PASSIVATED
ANO 2112-3204-2		BRASS	NICKEL

DRAWN	X. Y	DATE	07/14/23
CHECKED	W. Y	DATE	07/14/23
APPROVED	J. Q	DATE	07/14/23
UNLESS OTHERWISE SPECIFIED DIMENSIONS ARE IN MILLIMETERS, DIMENSIONS IN [] ARE IN INCHES FOR CUSTOMER REFERENCE ONLY UNLESS OTHERWISE SPECIFIED TOLERANCE ARE:		THESE DRAWINGS AND SPECIFICATIONS ARE THE PROPERTY OF ANOISON ELECTRONICS LTD AND SHOULD NOT BE USED WITHOUT WRITTEN PERMISSION COPYRIGHT © 2023 ANOISON ELECTRONICS LTD	
.XX	±0.13 [.005"]		
.X	±0.20 [.008"]		
X	±0.50 [.019"]		
.X°	±1°		
X°	±2°		



TITLE
SMA STRAIGHT FEMALE, 2 HOLE FLANGE RECEPTACLE WITH SOLDER POT CONTACT

VIEW	PART NO.	SIZE	SCALE	SHEET	REV.
	ANO 2112-3204	A3	5:1	1/1	C