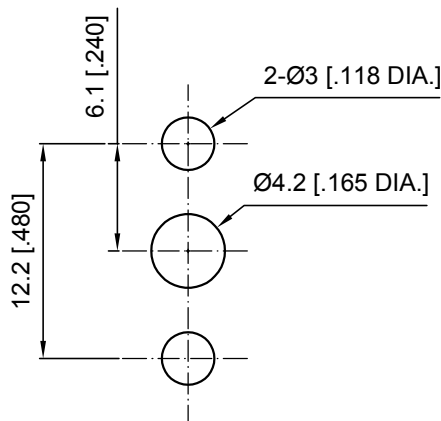
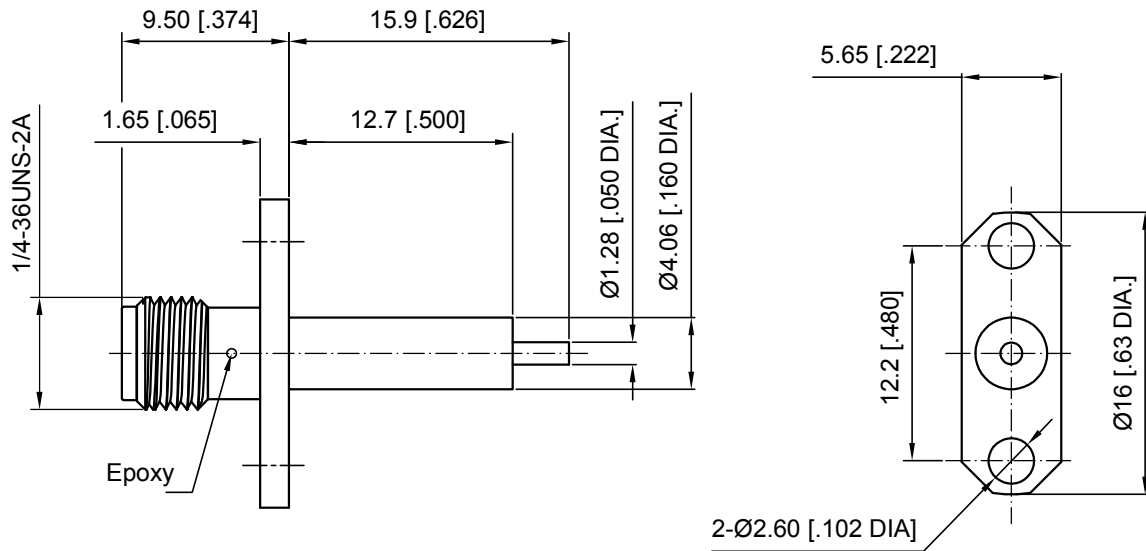



DESCRIPTION	MATERIAL	FINISH
Center Contact	Beryllium Copper Alloy	Gold
Body	Stainless Steel	Passivated
Insulator	PTFE	—



Recommended Mounting Hole

NOTES:

1. ALL SPECIFICATIONS ARE SUBJECT TO CHANGE WITHOUT NOTICE AT ANY TIME
2. CUSTOMER OUTLINE DRAWING FOR REFERENCE ONLY

Description	Ecn.No	Date	Rev	Drawn: X. B. Yang 08/06/11	Title:
				Checked: Z. Shen 08/06/11	SMA Straight Female 2 Hole Flange Mount Receptacle
				Approved: J. Qu 08/06/11	
 www.anoison.com				Unless otherwise specified dimensions are in millimeters, dimensions in [] are in inches for customer reference only. Unless Otherwise Specified tolerance are: .XX ±0.13 [0.005"] .X ±0.20 [0.008"] X ±0.50 [0.019"] .X° ±1° X° ±2°	
				View:	Part No:
Size: A4		Scale: 2.5:1	Sheet: 1/1	Rev: A	