

REVISIONS			
REV.	DESCRIPTION	DATE	APPROVED
A	INITIAL RELEASE	01/13/11	J. Q
B	DRAWING CHANGED	05/18/23	J. Q

MATERIAL & FINISH:

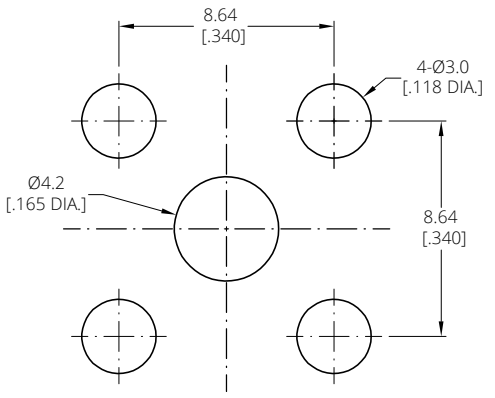
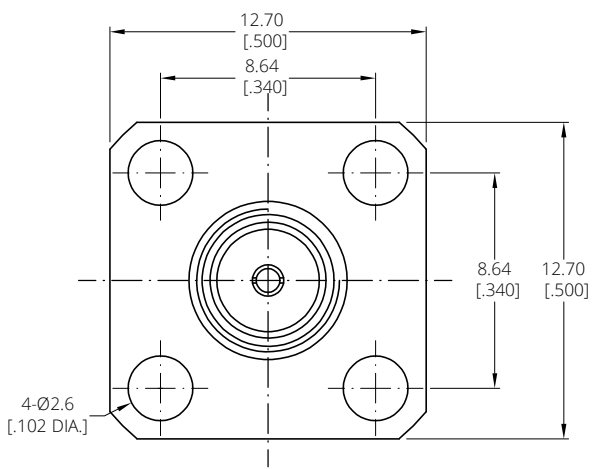
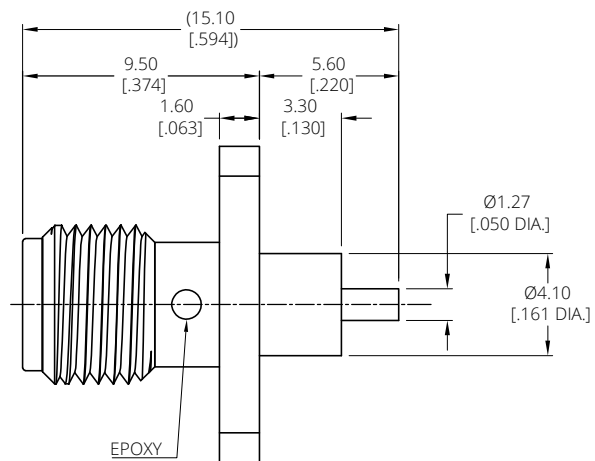
- 1 BODY: STAINLESS STEEL 303, PASSIVATED
- 2 CENTER CONTACT: BERYLLIUM COPPER ALLOY, GOLD PLATED
- 3 INSULATOR: PTFE

ELECTRICAL DATA:

- 1 IMPEDANCE: 50 Ω
- 2 FREQUENCY RANGE: DC~18 GHz

ENVIRONMENTAL DATA:

- 1 TEMPERATURE RANGE: -55°C~+125°C
- 2 2011/65/EU(RoHS) AND 2015/863/(RoHS): COMPLIANT
- 3 1907/2006/EC(REACH): COMPLIANT



DRAWN	W. Y	DATE	05/18/23
CHECKED	X. Y	DATE	05/18/23
APPROVED	J. Q	DATE	05/18/23
UNLESS OTHERWISE SPECIFIED DIMENSIONS ARE IN MILLIMETERS, DIMENSIONS IN [] ARE IN INCHES FOR CUSTOMER REFERENCE ONLY UNLESS OTHERWISE SPECIFIED TOLERANCE ARE:		THESE DRAWINGS AND SPECIFICATIONS ARE THE PROPERTY OF ANOISON ELECTRONICS LTD AND SHOULD NOT BE USED WITHOUT WRITTEN PERMISSION COPYRIGHT © 2023 ANOISON ELECTRONICS LTD	
	XX	±0.13	[.005"]
	X	±0.20	[.008"]
	X	±0.50	[.019"]
	X°	±1°	
	X°	±2°	

TITLE: SMA STRAIGHT FEMALE 4 HOLE .375 SQ. FLANGE MOUNT

VIEW:

PART NO. ANO 2112-3134

SIZE	SCALE	SHEET	REV.
A3	5:1	1/1	B