

1.0 MATERIAL & FINISH:

- 1.1 BODY: BRASS, GOLD PLATED
- 1.2 CENTER CONTACT: BERYLLIUM COPPER ALLOY, GOLD PLATED
- 1.3 INSULATOR: PTFE

2.0 ENVIRONMENTAL DATA:

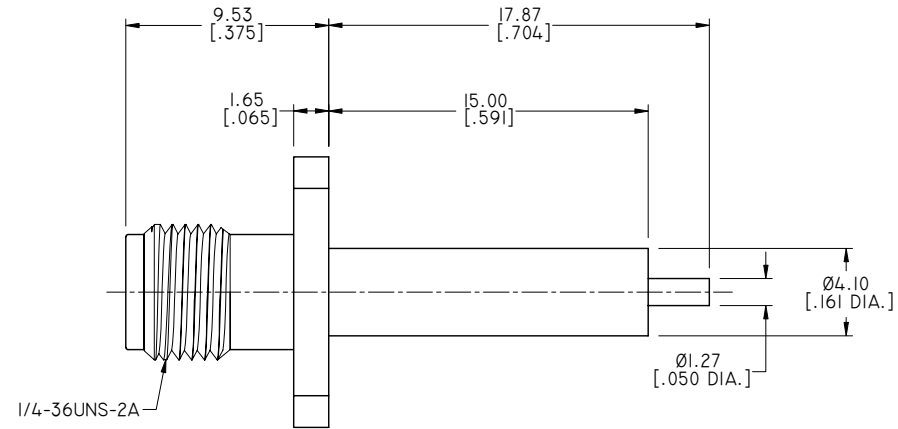
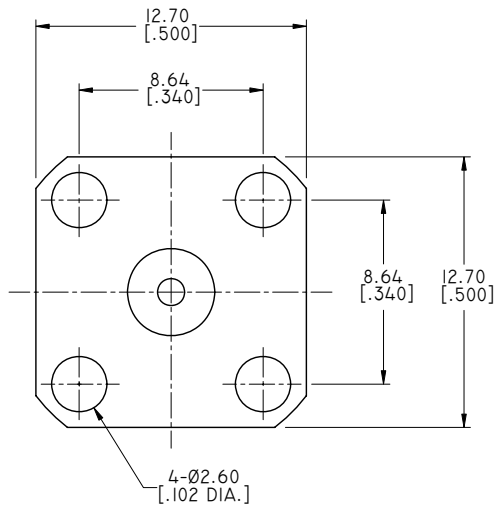
- 2.1 TEMPERATURE RANGE: -40°C~+85°C
- 2.2 2011/65/EU (RoHS) AND 2015/863/(RoHS): COMPLIANT
- 2.3 1999/45/EC(REACH): COMPLIANT

3.0 ELECTRICAL DATA:

- 3.1 IMPEDANCE: 50 Ω
- 3.2 FREQUENCY RANGE: DC~6 GHZ
- 3.3 VSWR: 1.25
- 3.4 INSERTION LOSS: 0.071 √F (GHZ) DB MAX.
- 3.5 DIELECTRIC WITHSTANDING VOLTAGE: 1000V
- 3.6 INSULATION RESISTANCE: 5000 MΩ
- 3.7 WORKING VOLTAGE: 335 VRMS MAX. AT SEA LEVEL

REVISIONS

REV.	DESCRIPTION	DATE	APPROVED
A	INITIAL RELEASE	05/16/19	J. QU



DRAWN	L. YANG	DATE	05/16/19
CHECKED	X. B. YANG	DATE	05/16/19
APPROVED	J. QU	DATE	05/16/19
UNLESS OTHERWISE SPECIFIED DIMENSIONS ARE IN MILLIMETERS. DIMENSIONS IN [] ARE IN INCHES FOR CUSTOMER REFERENCE ONLY UNLESS OTHERWISE SPECIFIED TOLERANCE ARE:		THESE DRAWINGS AND SPECIFICATIONS ARE THE PROPERTY OF ANOISON ELECTRONICS LTD AND SHOULD NOT BE USED WITHOUT WRITTEN PERMISSION COPYRIGHT © 2019 ANOISON ELECTRONICS LTD	
.XX	±0.13 [.005"]		
.X	±0.20 [.008"]		
X	±0.50 [.019"]		
.X°	±1°		
X°	±2°		



TITLE
SMA STRAIGHT FEMALE, 4 HOLE .500 SQ. FLANGE MOUNT

VIEW	PART NO. ANO 2112-3073			
	SIZE A3	SCALE 4:1	SHEET 1/1	REV. A