

MATERIAL & FINISH:

- 1 BODY: STAINLESS STEEL, PASSIVATED
- 2 CENTER CONTACT: BERYLLIUM COPPER ALLOY, GOLD PLATED
- 3 INSULATOR: PTFE

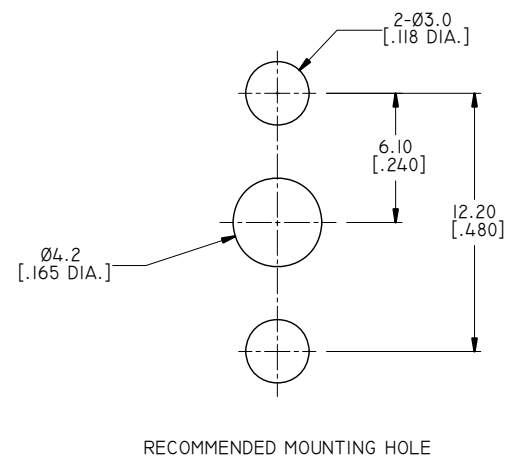
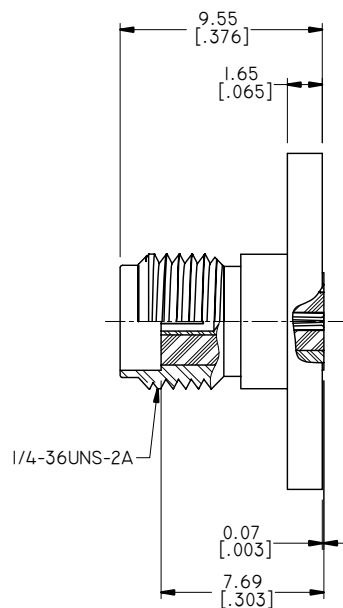
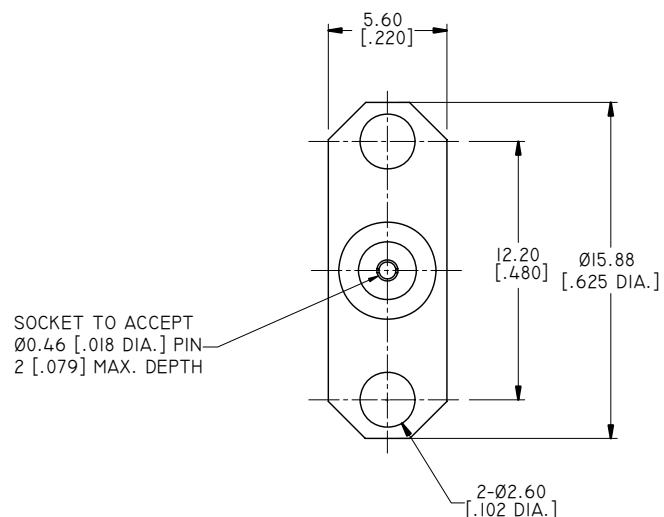
ENVIRONMENTAL DATA:

- 1 TEMPERATURE RANGE: -40°C~+85°C
- 2 2011/65/EU (RoHS): COMPLIANT

ELECTRICAL DATA:

- 1 IMPEDANCE: 50 Ω
- 2 FREQUENCY RANGE: DC~18 GHz
- 3 DIELECTRIC WITHSTANDING VOLTAGE: 1000V
- 4 INSULATION RESISTANCE: 5000 MΩ

REVISIONS			
REV.	DESCRIPTION	DATE	APPROVED
A	INITIAL RELEASE	09/18/08	J. QU
B	DRAWING FORMAT CHANGED	07/25/17	J. QU



DRAWN	P. CHEN	DATE	07/25/17
CHECKED	L. YANG	DATE	07/25/17
APPROVED	J. QU	DATE	07/25/17
UNLESS OTHERWISE SPECIFIED DIMENSIONS ARE IN MILLIMETERS, DIMENSIONS IN [] ARE IN INCHES FOR CUSTOMER REFERENCE ONLY UNLESS OTHERWISE SPECIFIED TOLERANCE ARE:		THESE DRAWINGS AND SPECIFICATIONS ARE THE PROPERTY OF ANOISON ELECTRONICS LTD AND SHOULD NOT BE USED WITHOUT WRITTEN PERMISSION COPYRIGHT © 2017 ANOISON ELECTRONICS LTD	
.XX	±0.13 [.005"]		
.X	±0.20 [.008"]		
X	±0.50 [.019"]		
.X°	±1°		
X°	±2°		



TITLE
SMA STRAIGHT FEMALE, 2 HOLE FLANGE MOUNT ACCEPT PIN

VIEW	PART NO. ANO 2112-3031			
	SIZE	SCALE	SHEET	REV.
	A3	4:1	1/1	B