

4

3

2

1

MATERIAL & FINISH:

- 1 BODY: STAINLESS STEEL, PASSIVATED
- 2 CENTER CONTACT: BERYLLIUM COPPER ALLOY, GOLD PLATED
- 3 INSULATOR: PTFE

ENVIRONMENTAL DATA:

- 1 TEMPERATURE RANGE: -40°C~+85°C
- 2 2011/65/EU (RoHS): COMPLIANT

ELECTRICAL DATA:

- 1 IMPEDANCE: 50 Ω
- 2 FREQUENCY RANGE: DC~18 GHZ
- 3 DIELECTRIC WITHSTANDING VOLTAGE: 1000V
- 4 INSULATION RENSISTANCE: 5000 MΩ

REVISIONS

REV.	DESCRIPTION	DATE	APPROVED
A	INITIAL RELEASE	09/18/08	J. QU
B	DRAWING FORMAT CHANGED	07/25/17	J. QU

D

D

C

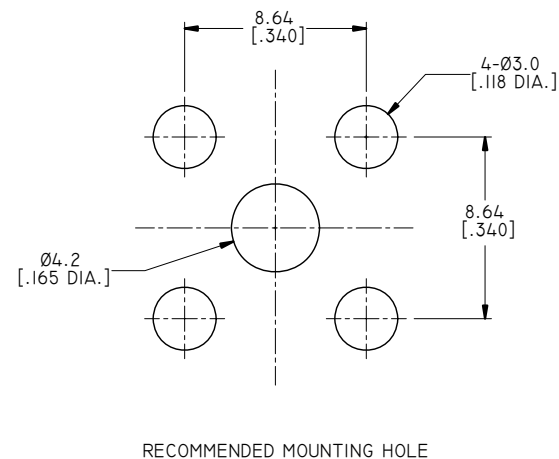
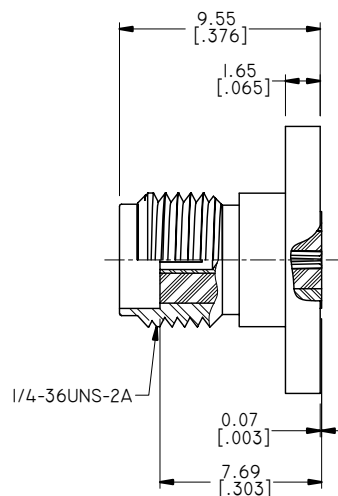
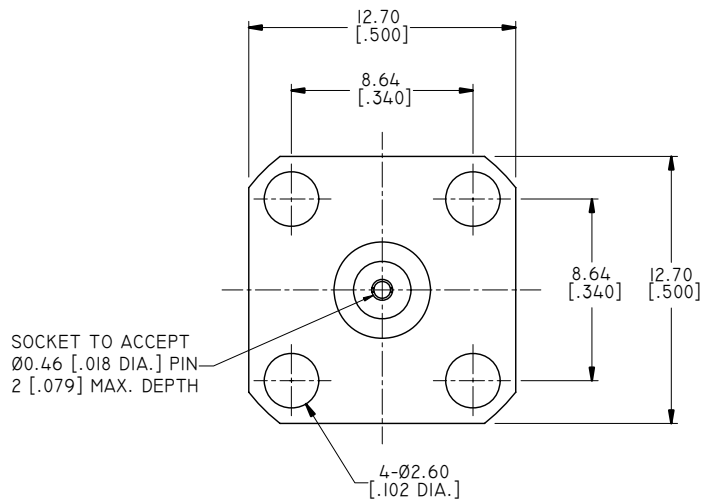
C

B

B

A

A



DRAWN	P. CHEN	DATE	07/25/17
CHECKED	L. YANG	DATE	07/25/17
APPROVED	J. QU	DATE	07/25/17
UNLESS OTHERWISE SPECIFIED DIMENSIONS ARE IN MILLIMETERS, DIMENSIONS IN [] ARE IN INCHES FOR CUSTOMER REFERENCE ONLY UNLESS OTHERWISE SPECIFIED TOLERANCE ARE:		THESE DRAWINGS AND SPECIFICATIONS ARE THE PROPERTY OF ANOISON ELECTRONICS LTD AND SHOULD NOT BE USED WITHOUT WRITTEN PERMISSION COPYRIGHT © 2017 ANOISON ELECTRONICS LTD	
.XX	±0.13 [.005"]		
.X	±0.20 [.008"]		
X	±0.50 [.019"]		
.X°	±1°		
X°	±2°		



TITLE
SMA STRAIGHT FEMALE, 4 HOLE FLANGE MOUNT
ACCETP PIN

VIEW	PART NO. ANO 2112-3024		
	SIZE A3	SCALE 4:1	SHEET 1/1
		REV. B	

4

3

2

1