

**MATERIAL & FINISH:**

- 1 BODY: BRASS, NICKEL PLATED
- 2 CENTER CONTACT: PHOSPHOR BRONZE, GOLD PLATED
- 3 INSULATOR: PTFE
- 4 CRIMP FERRULE: COPPER, NICKEL PLATED

**ELECTRICAL DATA:**

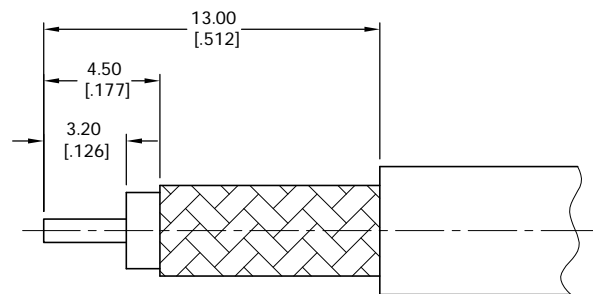
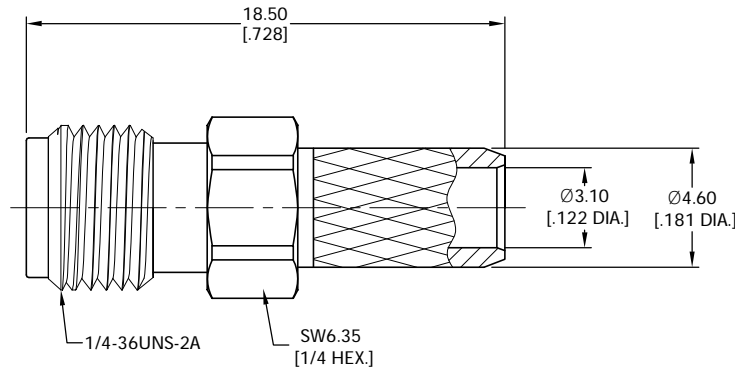
- 1 IMPEDANCE: 50 Ω
- 2 FREQUENCY RANGE: DC-6 GHz

**ENVIRONMENTAL DATA:**

- 1 TEMPERATURE RANGE: -55°C ~ +125°C
- 2 2011/65/EU(RoHS) AND 2015/863/(RoHS): COMPLIANT
- 3 REACH SVHC247: COMPLIANT

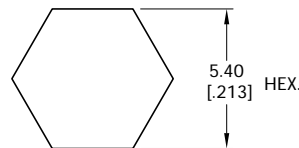
**REVISIONS**

REV.	DESCRIPTION	DATE	APPROVED
A	INITIAL RELEASE	07/15/25	J. Q



CABLE STRIPPING DIMENSIONS

**HEX. CRIMP TOOL**



CRIMP WIDTH: 10 [0.394]

DRAWN	X. Y	DATE	07/15/25
CHECKED	W. Y	DATE	07/15/25
APPROVED	J. Q	DATE	07/15/25

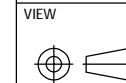
UNLESS OTHERWISE SPECIFIED DIMENSIONS ARE IN MILLIMETERS. DIMENSIONS IN [ ] ARE IN INCHES FOR CUSTOMER REFERENCE ONLY UNLESS OTHERWISE SPECIFIED TOLERANCE ARE:

.XX	±0.13 [0.005"]
.X	±0.20 [0.008"]
X	±0.50 [0.019"]
X°	±1°
X°	±2°

THESE DRAWINGS AND SPECIFICATIONS ARE THE PROPERTY OF ANOISON ELECTRONICS LTD AND SHOULD NOT BE USED WITHOUT WRITTEN PERMISSION COPYRIGHT © 2025 ANOISON ELECTRONICS LTD



TITLE  
**SMA STRAIGHT FEMALE CRIMP FOR LMR195/RG58 CABLE**



PART NO. ANO 2112-2761			
SIZE A3	SCALE 5:1	SHEET 1/1	REV. A