

4 3 2 1

**MATERIAL & FINISH:**

- 1 BODY: STAINLESS STEEL, PASSIVATED
- 2 CENTER CONTACT: BERYLLIUM COPPER ALLOY, GOLD PLATED PER MIL-G-45204
- 3 SOLDER FERRULE: BRASS, GOLD PLATED
- 4 INSULATOR: PTFE

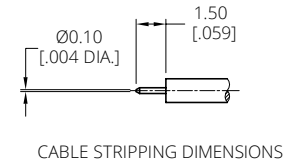
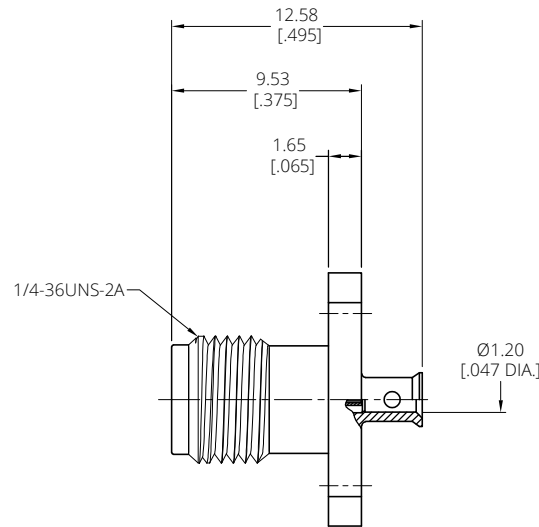
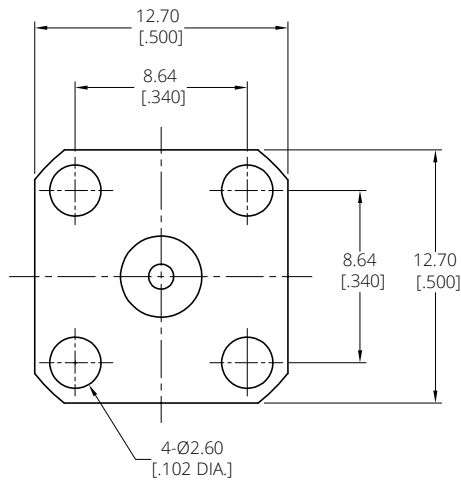
**ELECTRICAL DATA:**

- 1 IMPEDANCE: 50 Ω
- 2 FREQUENCY RANGE: DC~18 GHz
- 3 VSWR: 1.25 MAX.

**ENVIRONMENTAL DATA:**

- 1 TEMPERATURE RANGE: -55°C~+125°C
- 2 2011/65/EU(RoHS) AND 2015/863/(RoHS): COMPLIANT
- 3 1907/2006/EC(REACH): COMPLIANT

REVISIONS			
REV.	DESCRIPTION	DATE	APPROVED
A	INITIAL RELEASE	02/23/23	J. Q



D  
C  
B  
A

D  
C  
B  
A

4 3 2 1

DRAWN	W. Y	DATE	02/23/23
CHECKED	X. Y	DATE	02/23/23
APPROVED	J. Q	DATE	02/23/23
UNLESS OTHERWISE SPECIFIED DIMENSIONS ARE IN MILLIMETERS, DIMENSIONS IN [ ] ARE IN INCHES FOR CUSTOMER REFERENCE ONLY UNLESS OTHERWISE SPECIFIED TOLERANCE ARE:		THESE DRAWINGS AND SPECIFICATIONS ARE THE PROPERTY OF ANOISON ELECTRONICS LTD AND SHOULD NOT BE USED WITHOUT WRITTEN PERMISSION COPYRIGHT © 2023 ANOISON ELECTRONICS LTD	
XX	±0.13 [.005"]		
X	±0.20 [.008"]		
x	±0.50 [.019"]		
x°	±1°		
x"	±2°		



TITLE SMA STRAIGHT FEMALE 4 HOLE .500 SQ. FLANGE SOLDER FOR .047 CABLE CAPTIVE CONTACT			
VIEW	PART NO. ANO 2112-2635		
	SIZE A3	SCALE 4:1	SHEET 1/1
		REV. A	

A

A