

MATERIAL & FINISH:

- 1 BODY: BRASS, GOLD PLATED
- 2 CENTER CONTACT: BERYLLIUM COPPER ALLOY, GOLD PLATED
- 3 INSULATOR: PTFE

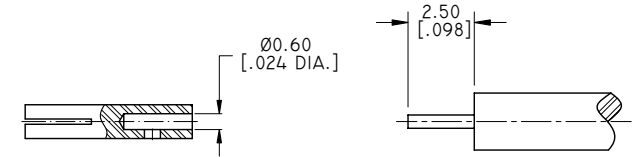
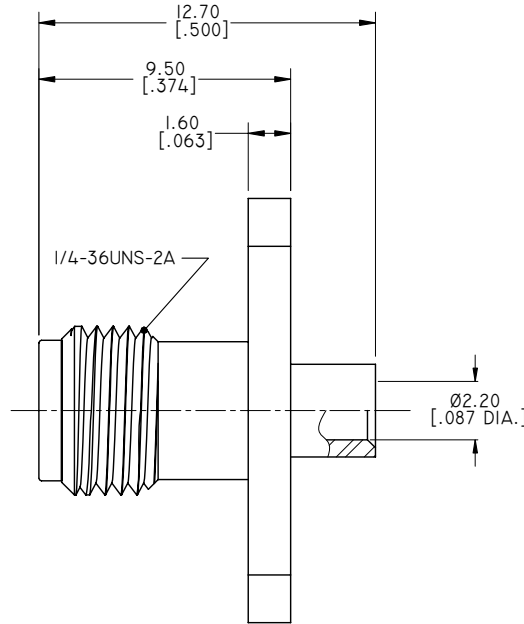
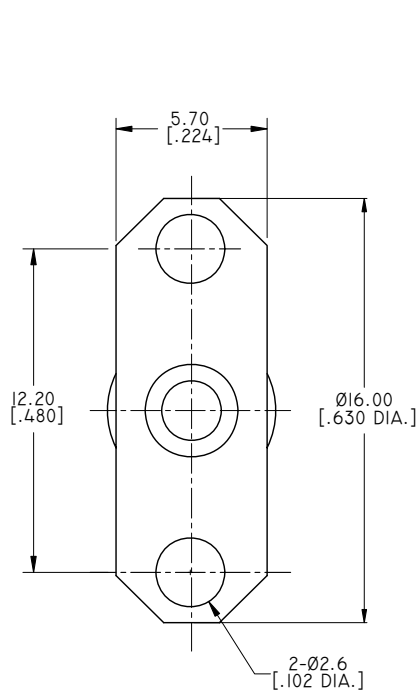
ENVIRONMENTAL DATA:

- 1 TEMPERATURE RANGE: -65°C~+165°C
- 2 2011/65/EU (RoHS): COMPLIANT

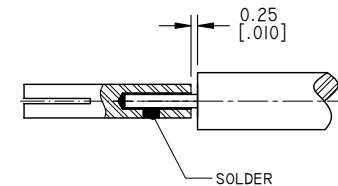
ELECTRICAL DATA:

1. IMPEDANCE: 50 Ω
2. FREQUENCY RANGE: DC~18GHZ
3. VSWR: 1.30 MAX. AT DC~12.4GHZ
1.50 MAX. AT 12.4~18GHZ

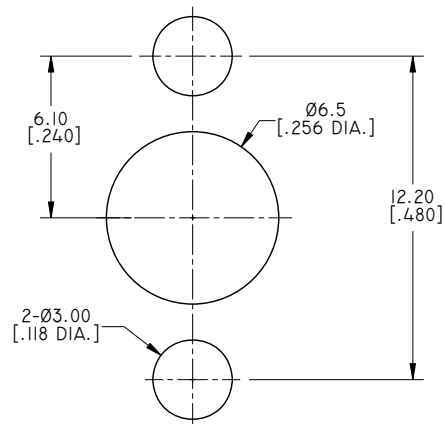
REVISIONS			
REV.	DESCRIPTION	DATE	APPROVED
A	INITIAL RELEASE	03/03/10	J. QU
B	DRAWING FORMAT CHANGED	08/01/17	J. QU



CABLE STRIPPING DIMENSIONS



CABLE ASSEMBLY DIMENSIONS



RECOMMENDED MOUNTING HOLE

DRAWN	P. CHEN	DATE	08/01/17
CHECKED	L. YANG	DATE	08/01/17
APPROVED	J. QU	DATE	08/01/17
UNLESS OTHERWISE SPECIFIED DIMENSIONS ARE IN MILLIMETERS. DIMENSIONS IN [] ARE IN INCHES FOR CUSTOMER REFERENCE ONLY UNLESS OTHERWISE SPECIFIED TOLERANCE ARE:		THESE DRAWINGS AND SPECIFICATIONS ARE THE PROPERTY OF ANOISON ELECTRONICS LTD AND SHOULD NOT BE USED WITHOUT WRITTEN PERMISSION COPYRIGHT © 2017 ANOISON ELECTRONICS LTD	
.XX	±0.13 [.005"]		
.X	±0.20 [.008"]		
X	±0.50 [.019"]		
.X°	±1°		
X°	±2°		



TITLE			
SMA STRAIGHT FEMALE FLANG, 2 HOLE, FOR .086 CABLE			
VIEW		PART NO.	
		ANO 2112-2044	
SIZE	SCALE	SHEET	REV.
A3	5:1	1/1	B