

MATERIAL & FINISH:

1. BODY: BRASS, GOLD PLATED
2. CENTER CONTACT: BERYLLIUM COPPER ALLOY, GOLD PLATED
3. CRIMP FERRULE: BRASS, GOLD PLATED
4. FASTENING NUT: BRASS, GOLD PLATED
5. INSULATOR: PTFE

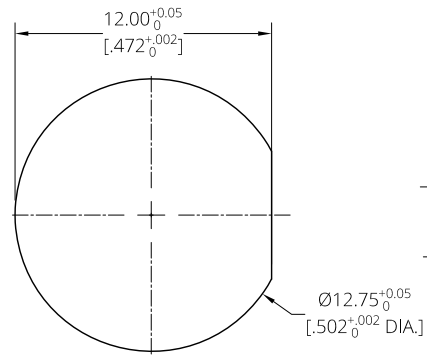
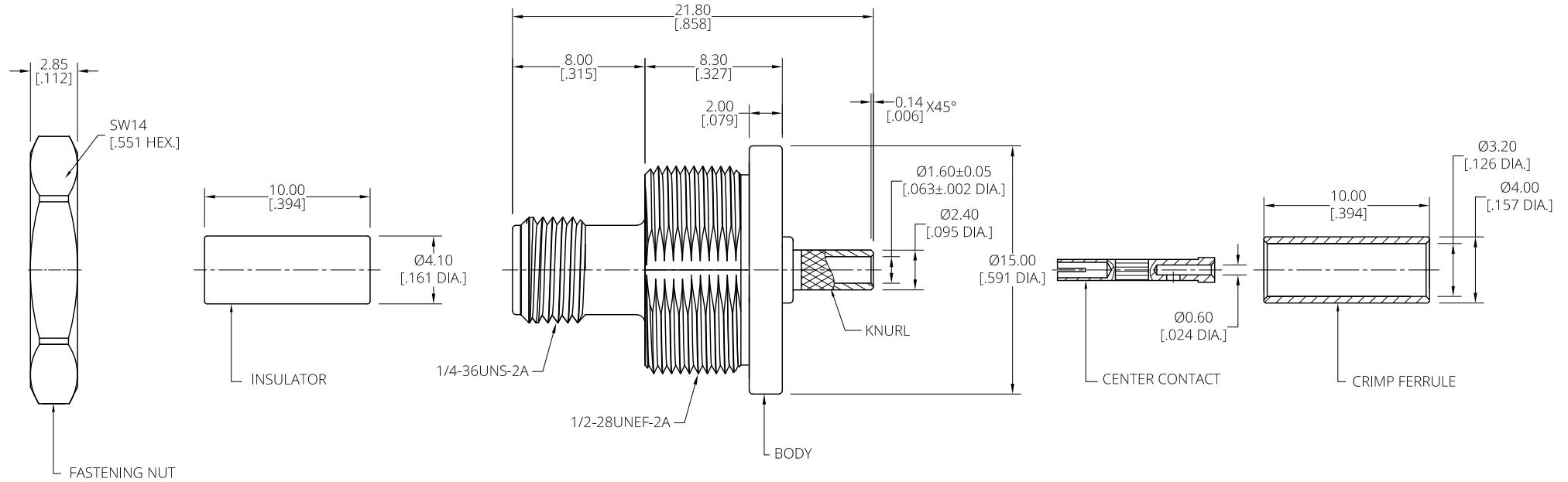
ELECTRICAL DATA:

1. IMPEDANCE: 50 Ω
2. FREQUENCY RANGE: DC~6GHZ
3. VSWR: 1.30 MAX.

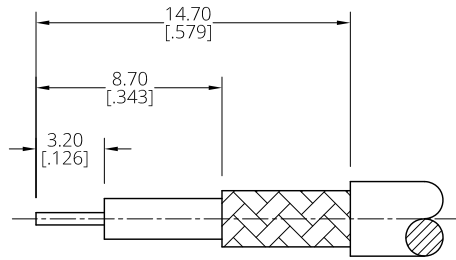
ENVIRONMENTAL SPECIFICATIONS :

1. TEMPERATURE RANGE: -55°C~+125°C
2. 2011/65/EU (RoHS) AND 2015/863/(RoHS): COMPLIANT
3. 1999/45/EC(REACH): COMPLIANT

REVISIONS			
REV.	DESCRIPTION	DATE	APPROVED
A	INITIAL RELEASE	03/20/26	J. Q



RECOMMENDED MOUNTING HOLE



CABLE STRIPPING DIMENSIONS

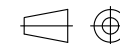
DRAWN	Y. H	DATE	03/20/26
CHECKED	W. Y	DATE	03/20/26
APPROVED	J. Q	DATE	03/20/26
UNLESS OTHERWISE SPECIFIED DIMENSIONS ARE IN MILLIMETERS, DIMENSIONS IN [] ARE IN INCHES FOR CUSTOMER REFERENCE ONLY UNLESS OTHERWISE SPECIFIED		TOLERANCE ARE:	
.XX	±0.13 [0.005"]		
.X	±0.20 [0.008"]		
X	±0.50 [0.019"]		
X°	±1°		
X°	±2°		

THESE DRAWINGS AND SPECIFICATIONS ARE THE PROPERTY OF ANOISON GROUP. THEY SHALL NOT BE REPRODUCED OR USED WITHOUT WRITTEN PERMISSION. © 2026 ANOISON GROUP. ALL RIGHTS RESERVED.



TITLE
SMA STRAIGHT BULKHEAD FEMALE CRIMP FOR RG174/RG188/RG316/LMR100 CABLE

VIEW



PART NO.
ANO 2112-1797

SIZE	A3	SCALE	4:1	SHEET	1/1	REV.	A
------	----	-------	-----	-------	-----	------	---