

4

3

2

1

MATERIAL & FINISH:

- 1 BODY: STAINLESS STEEL, PASSIVATED
- 2 CENTER CONTACT: BERYLLIUM COPPER ALLOY, GOLD PLATED
- 3 LOCK WASHER: STAINLESS STEEL, PASSIVATED
- 4 FASTENING NUT: STAINLESS STEEL, PASSIVATED
- 5 SOLDER FERRULE: BRASS, GOLD PLATED
- 6 INSULATOR: PTFE
- 7 O-RING: SILICONE RUBBER

ELECTRICAL DATA:

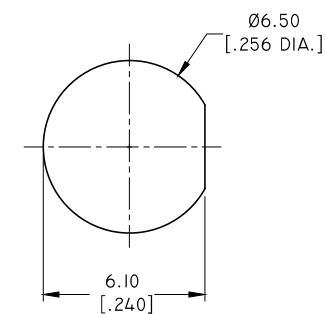
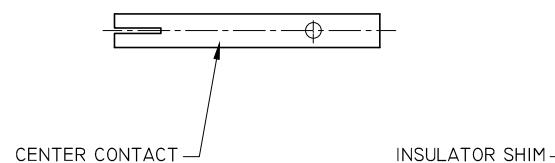
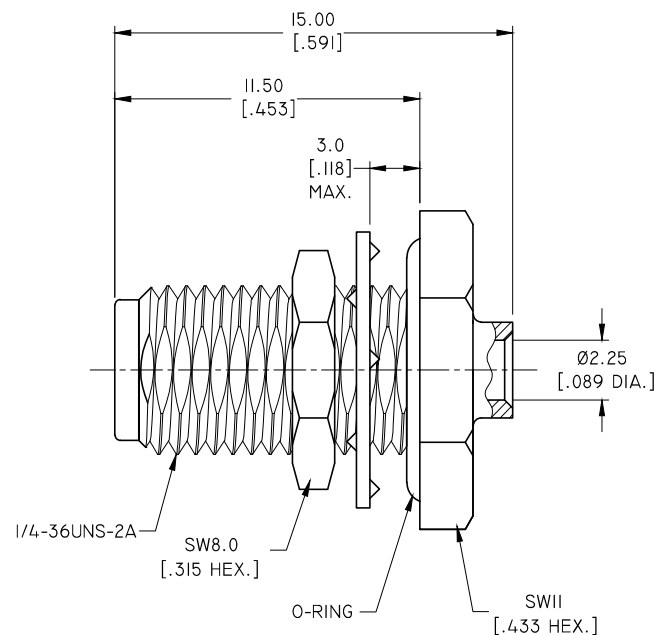
- 1 IMPEDANCE: 50 Ω
- 2 FREQUENCY RANGE: DC~18 GHZ

ENVIRONMENTAL DATA:

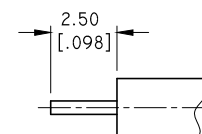
- 1 TEMPERATURE RANGE: -55°C~+125°C
- 2 2011/65/EU(RoHS) AND 2015/863/(RoHS): COMPLIANT
- 3 1999/45/EC(REACH): COMPLIANT

REVISIONS

REV.	DESCRIPTION	DATE	APPROVED
A	INITIAL RELEASE	10/10/19	J. QU



RECOMMENDED MOUNTING HOLE



CABLE STRIPPING DIMENSIONS

DRAWN	W. YANG	DATE	10/10/19
CHECKED	L. YANG	DATE	10/10/19
APPROVED	J. QU	DATE	10/10/19
UNLESS OTHERWISE SPECIFIED DIMENSIONS ARE IN MILLIMETERS. DIMENSIONS IN [] ARE IN INCHES FOR CUSTOMER REFERENCE ONLY UNLESS OTHERWISE SPECIFIED TOLERANCE ARE:		THESE DRAWINGS AND SPECIFICATIONS ARE THE PROPERTY OF ANOISON ELECTRONICS LTD AND SHOULD NOT BE USED WITHOUT WRITTEN PERMISSION COPYRIGHT © 2019 ANOISON ELECTRONICS LTD	
.XX	±0.13 [.005"]		
.X	±0.20 [.008"]		
X	±0.50 [.019"]		
.X°	±1°		
X°	±2°		



TITLE
SMA STRAIGHT BULKHEAD WATERPROOF
FEMALE SOLDER FOR .086 CABLE

VIEW



PART NO.

ANO 2112-I550

SIZE
A3SCALE
5:1SHEET
1/1REV.
A

4

3

2

1