

REVISIONS			
REV.	DESCRIPTION	DATE	APPROVED
A	INITIAL RELEASE	09/28/17	J. QU
B	CABLE STRIPPING DIMENSIONS CHANGED	10/19/17	J. QU

MATERIAL & FINISH:

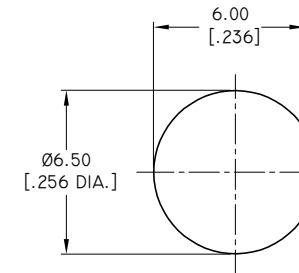
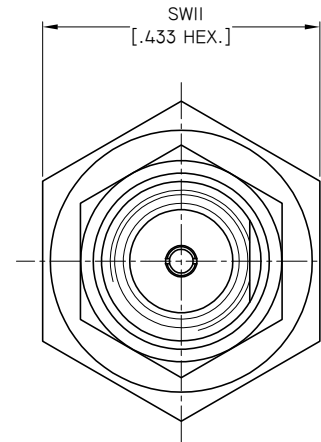
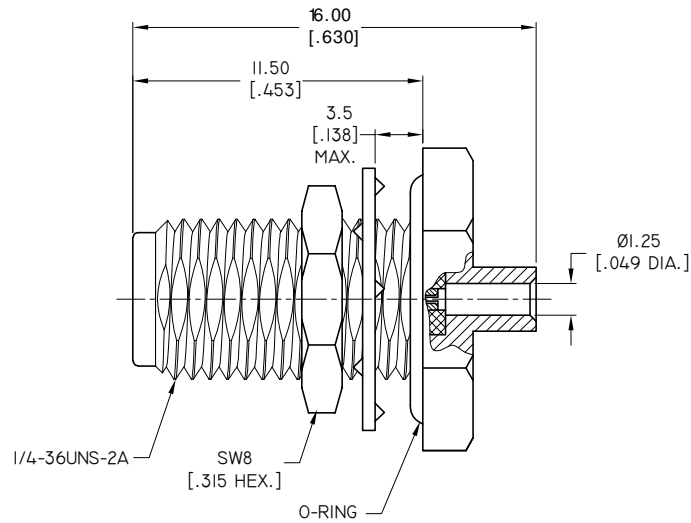
- 1 BODY: SEE TABLE
- 2 CENTER CONTACT: BERYLLIUM COPPER ALLOY, GOLD PLATED
- 3 INSULATOR: PTFE
- 4 FASTENING NUT: SEE TABLE
- 5 LOCK WASHER : SEE TABLE
- 6 O-RING: SILICONE RUBBER

ELECTRICAL SPECIFICATIONS:

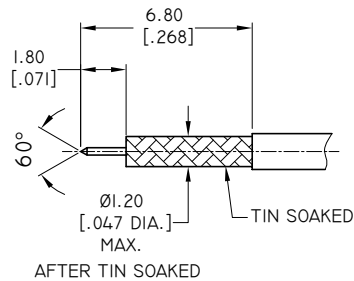
- 1 IMPEDANCE: 50 Ω
- 2 FREQUENCY RANGE: DC~18GHZ
- 3 VSWR: 1.30 MAX.

ENVIRONMENTAL DATA:

- 1 TEMPERATURE RANGE: -55°C~+125°C
- 2 2011/65/EU (RoHS): COMPLIANT



RECOMMENDE MOUNTING HOLE



CABLE STRIPPING DIMENSIONS

TABLE

PART NO.	PART	MATERIAL	FINISH
ANO 2112-1062	BODY	BRASS	GOLD
	FASTENING NUT	BRASS	GOLD
	LOCK WASHER	BERYLLIUM COPPER ALLOY	GOLD
ANO 2112-1062-1	BODY	STAINLESS STELL	GOLD
	FASTENING NUT	STAINLESS STELL	PASSIVATED
	LOCK WASHER	BERYLLIUM COPPER ALLOY	NICKEL

DRAWN	X. B. YANG	DATE	10/19/17
CHECKED	L. YANG	DATE	10/19/17
APPROVED	J. QU	DATE	10/19/17
UNLESS OTHERWISE SPECIFIED DIMENSIONS ARE IN MILLIMETERS, DIMENSIONS IN [] ARE IN INCHES FOR CUSTOMER REFERENCE ONLY UNLESS OTHERWISE SPECIFIED TOLERANCE ARE:		THESE DRAWINGS AND SPECIFICATIONS ARE THE PROPERTY OF ANOISON ELECTRONICS LTD AND SHOULD NOT BE USED WITHOUT WRITTEN PERMISSION COPYRIGHT © 2017 ANOISON ELECTRONICS LTD	



TITLE
SMA STRAIGHT FEMALE, BULKHEAD WATERPROOF, SOLDER FOR 047SC-2901 CABLE, CAPTIVE CONTACT

VIEW	PART NO. ANO 2112-1062			
SIZE A3	SCALE 5:1	SHEET 1/1	REV. B	