

4

3

2

1

MATERIAL & FINISH:

- 1 BODY: BRASS, GOLD PLATED
- 2 CENTER CONTACT: BRASS, GOLD PLATED
- 3 INSULATOR: PTFE
- 4 COUPLING NUT: BRASS, GOLD PLATED
- 5 RATAINING RING: BERYLLIUM COPPER ALLOY, NICKEL PLATED
- 6 GASKET: SILICONE RUBBER

ELECTRICAL DATA:

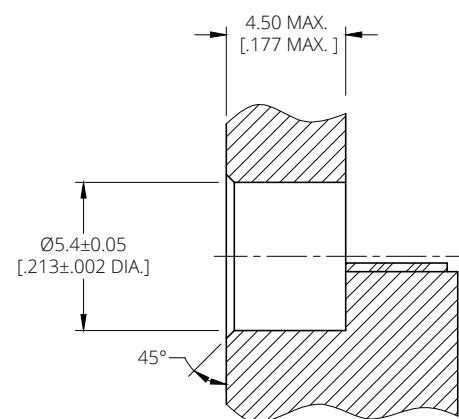
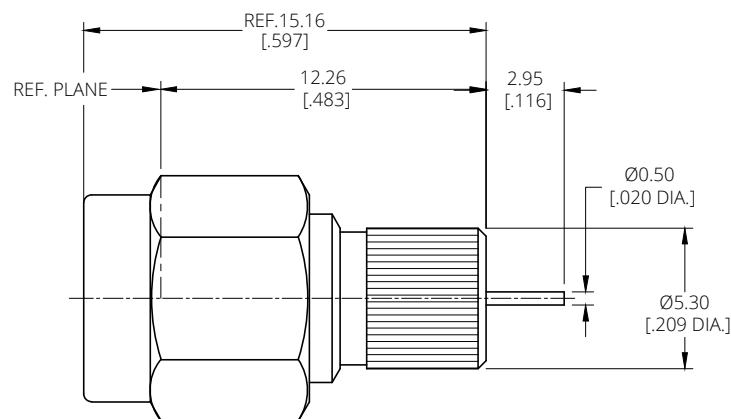
- 1 IMPEDANCE: 50 Ω
- 2 FREQUENCY RANGE: DC~18 GHz
- 3 VSWR: 1.35 MAX.

ENVIRONMENTAL DATA:

- 1 TEMPERATURE RANGE: -55°C~+125°C
- 2 2011/65/EU(RoHS) AND 2015/863/(RoHS): COMPLIANT
- 3 1907/2006/EC(REACH): COMPLIANT

REVISIONS

REV.	DESCRIPTION	DATE	APPROVED
A	INITIAL RELEASE	11/13/24	J. Q



RECOMMENDE MOUNTING HOLE

DRAWN	Y. H	DATE	11/13/24
CHECKED	X. Y	DATE	11/13/24
APPROVED	J. Q	DATE	11/13/24
UNLESS OTHERWISE SPECIFIED DIMENSIONS ARE IN MILLIMETERS, DIMENSIONS IN [] ARE IN INCHES FOR CUSTOMER REFERENCE ONLY UNLESS OTHERWISE SPECIFIED TOLERANCE ARE:		THESE DRAWINGS AND SPECIFICATIONS ARE THE PROPERTY OF ANOISON ELECTRONICS LTD AND SHOULD NOT BE USED WITHOUT WRITTEN PERMISSION COPYRIGHT © 2024 ANOISON ELECTRONICS LTD	
	XX	±0.13 [0.005"]	
	X	±0.20 [0.008"]	
	X	±0.50 [0.019"]	
	X°	±1°	
	X°	±2°	

TITLE			
SMA STRAIGHT MALE RECEPTACLE			
VIEW		PART NO.	
		ANO 2111-4721	
SIZE	SCALE	SHEET	REV.
A3	5:1	1/1	A

4

3

2

1