

4 3 2 1

MATERIAL & FINISH:

- 1 BODY: BRASS, GOLD PLATED
- 2 CENTER CONTACT: BRASS, GOLD PLATED
- 3 INSULATOR: PTFE
- 4 COUPLING NUT: BRASS, GOLD PLATED
- 5 RETAINING RING: BERYLLIUM COPPER ALLOY, UNPLATED

ENVIRONMENTAL DATA:

- 1 TEMPERATURE RANGE: -65°C~+165°C
- 2 2011/65/EU (RoHS): COMPLIANT

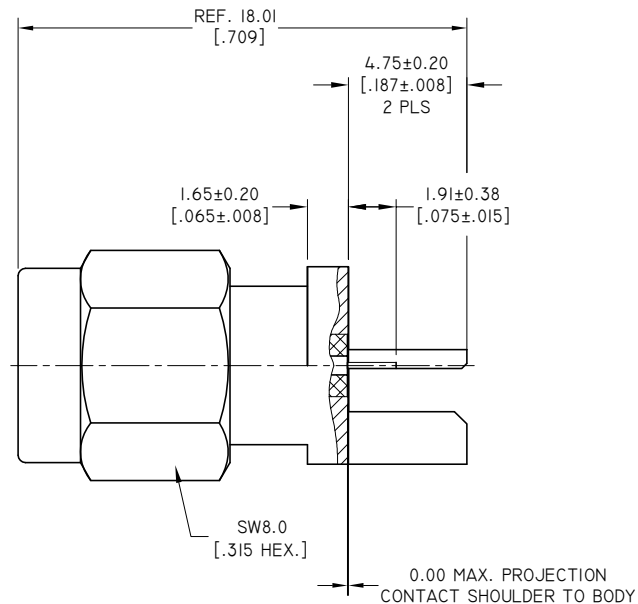
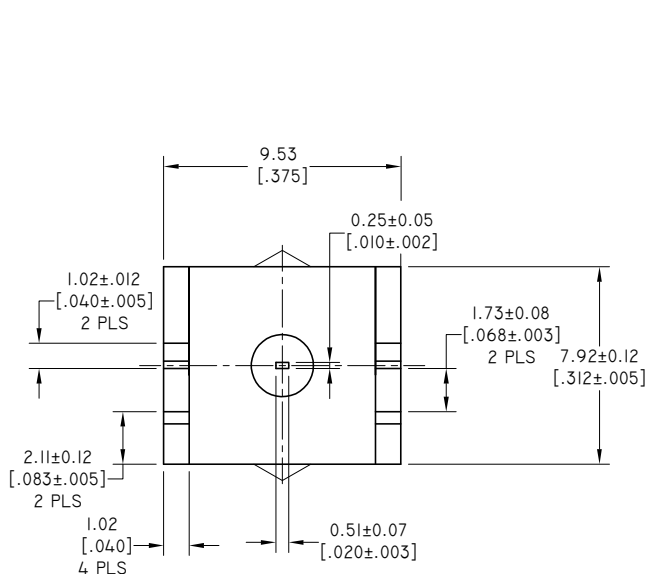
ELECTRICAL DATA:

- 1 IMPEDANCE: 50 OHMS
- 2 FREQUENCY RANGE: DC~18 GHZ
- 3 WITHSTANDING VOLTAGE: 1000 VRMS MIN.
- 4 VOLTAGE: 335 VRMS MAX. AT SEA LEVEL
- 5 DURABILITY: >500 CYCLES

APPLICABLE STANDARDS:

MIL-STD-348A

REVISIONS			
REV.	DESCRIPTION	DATE	APPROVED
A	INITIAL RELEASE	04/30/21	J. QU



DRAWN	W. YANG	DATE	04/30/21
CHECKED	P. CHEN	DATE	04/30/21
APPROVED	J. QU	DATE	04/30/21
UNLESS OTHERWISE SPECIFIED DIMENSIONS ARE IN MILLIMETERS, DIMENSIONS IN [] ARE IN INCHES FOR CUSTOMER REFERENCE ONLY UNLESS OTHERWISE SPECIFIED TOLERANCE ARE:		THESE DRAWINGS AND SPECIFICATIONS ARE THE PROPERTY OF ANOISON ELECTRONICS LTD AND SHOULD NOT BE USED WITHOUT WRITTEN PERMISSION COPYRIGHT © 2021 ANOISON ELECTRONICS LTD	
.XX	±0.13 [.005"]		
.X	±0.20 [.008"]		
X	±0.50 [.019"]		
.X°	±1°		
X°	±2°		

TITLE
SMA END LAUNCH MALE FOR .062 PCB RECEPTACLE-TAB CONTACT

VIEW

PART NO.
ANO 2111-4593

SIZE	SCALE	SHEET	REV.
A3	5:1	1/1	A

4 3 2 1