

MATERIAL & FINISH:

- 1 BODY: BRASS, GOLD PLATED
- 2 CENTER CONTACT: BRASS, GOLD PLATED
- 3 INSULATOR: PTFE
- 4 COUPLING NUT: BRASS, GOLD PLATED
- 5 RETAINING RING: BERYLLIUM COPPER ALLOY, NICKEL PLATED

ENVIRONMENTAL DATA:

- 1 TEMPERATURE RANGE: -40°C~+125°C
- 2 2011/65/EU (RoHS): COMPLIANT

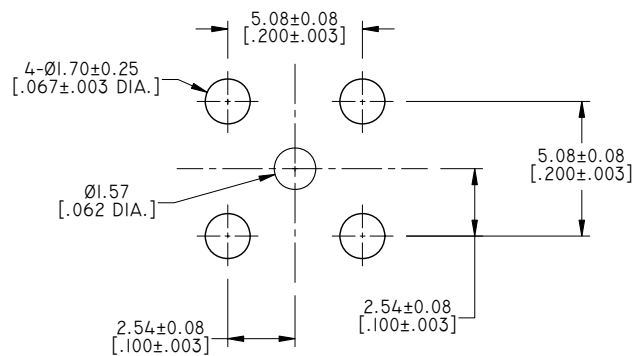
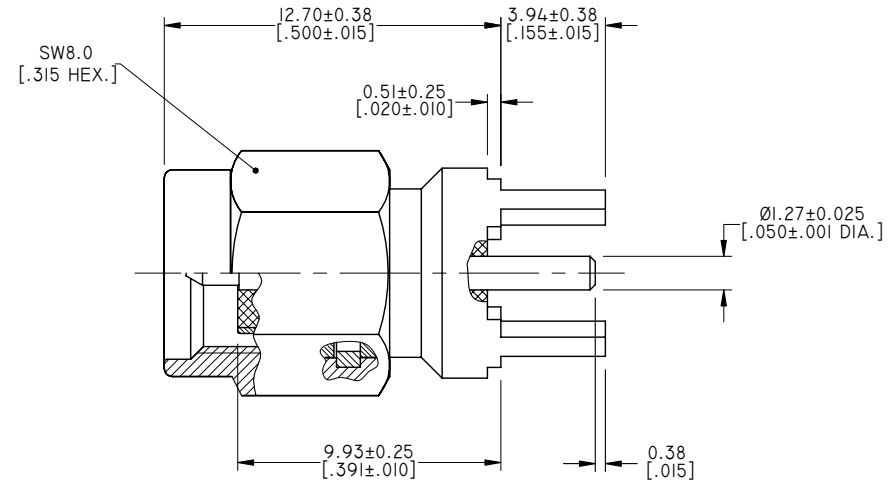
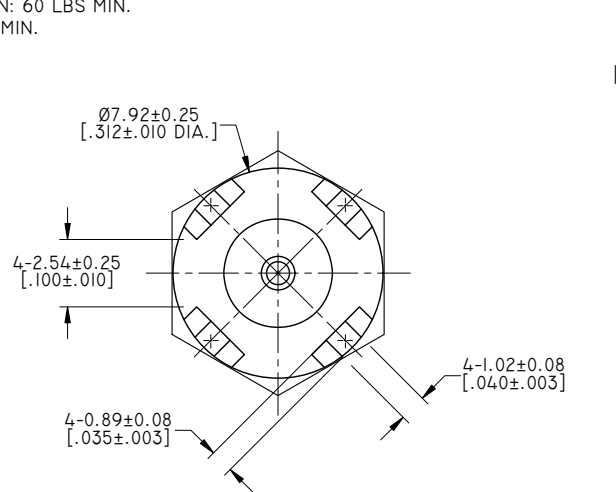
MECHANICAL DATA:

- 1 ENGAGE/DISENGAGE TORQUE: 2 INCH-POUNDS MAX.
- 2 MATING TORQUE: 7-10 INCH POUNDS
- 3 COUPLING PROOF TORQUE: 15 INCH POUNDS
- 4 COUPLING NUT RETENTION: 60 LBS MIN.
- 5 DURABILITY: 500 CYCLES MIN.

ELECTRICAL DATA:

- 1 IMPEDANCE: 50 Ω
- 2 FREQUENCY RANGE: DC~18 GHz
- 3 WORKING VOLTAGE: 335 VRMS MAX. AT SEA LEVEL
- 4 DIELECTRIC WITHSTANDING VOLTAGE: 1000 VRMS MIN AT SEA LEVEL
- 5 INSULATION RESISTANCE: 5000 MEGOHM MIN.
- 6 CONTACT RESISTANCE:
  - CENTER CONTACT - INITIAL 3.0 MILLIOHM MAX. AFTER ENVIRONMENTAL 4.0 MILLIOHM MAX.
  - CENTER CONTACT - INITIAL 2.0 MILLIOHM MAX. AFTER ENVIRONMENTAL NOT APPLICABLE

REVISIONS			
REV.	DESCRIPTION	DATE	APPROVED
A	INITIAL RELEASE	01/30/16	J. QU
B	THE CENTER CONTACT TO BE 0.38 [.015] LOWER THAN THE END OF THE LEGS	02/05/16	J. QU



RECOMMENDED MOUNTING HOLE

DRAWN	X. B. YANG	DATE	02/05/16
CHECKED	L. YANG	DATE	02/05/16
APPROVED	J. QU	DATE	02/05/16
UNLESS OTHERWISE SPECIFIED DIMENSIONS ARE IN MILLIMETERS. DIMENSIONS IN [ ] ARE IN INCHES FOR CUSTOMER REFERENCE ONLY UNLESS OTHERWISE SPECIFIED TOLERANCE ARE:		THESE DRAWINGS AND SPECIFICATIONS ARE THE PROPERTY OF ANOISON ELECTRONICS LTD AND SHOULD NOT BE USED WITHOUT WRITTEN PERMISSION COPYRIGHT © 2016 ANOISON ELECTRONICS LTD	
.XX	±0.13 [.005"]		
.X	±0.20 [.008"]		
X	±0.50 [.019"]		
.X°	±1°		
X°	±2°		



TITLE			
SMA STRAIGHT MALE PCB MOUNT RECEPTACLE			
VIEW		PART NO.	
		ANO 2111-4376	
SIZE	SCALE	SHEET	REV.
A3	5:1	I/1	B