

4

3

2

1

MATERIAL & FINISH:

- 1 BODY: BRASS, GOLD PLATED
- 2 INTERNAL CONTACT: BERYLLIUM COPPER ALLOY, GOLD PLATED
- 3 CENTER CONTACT: BRASS, GOLD PLATED
- 4 INSULATOR: PTFE
- 5 CRIMP FERRULE: COPPER, NICKEL PLATED

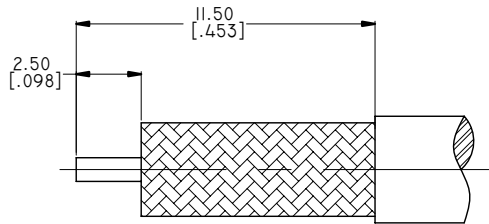
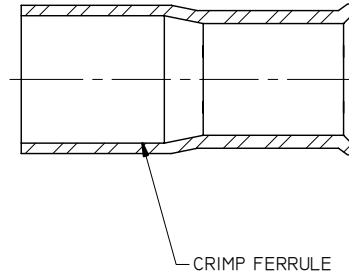
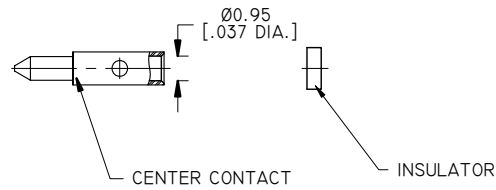
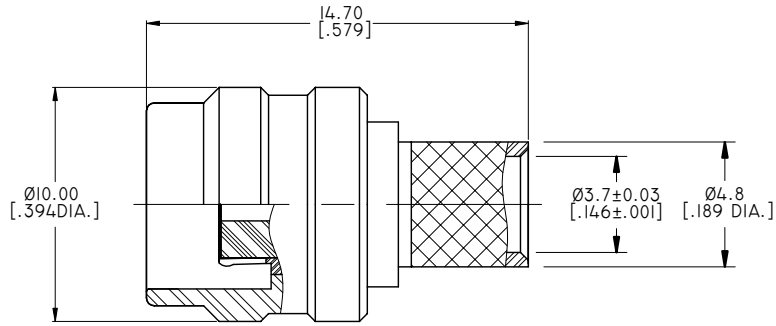
ELECTRICAL DATA:

- 1. IMPEDANCE: 50 Ω
- 2. FREQUENCY RANGE: DC~8 GHz
- 3. VSWR: ≤1.15

REVISIONS			
REV.	DESCRIPTION	DATE	APPROVED
A	INITIAL RELEASE	12/07/18	J. QU

ENVIRONMENTAL DATA:

- 1 TEMPERATURE RANGE: -40°C~+125°C
- 2 2011/65/EU(RoHS) AND 2015/863/(RoHS): COMPLIANT
- 3 1999/45/EC(REACH): COMPLIANT



CABLE STRIPPING DIMENSIONS

DRAWN	P. CHEN	DATE	12/07/18
CHECKED	L. YANG	DATE	12/07/18
APPROVED	J. QU	DATE	12/07/18

UNLESS OTHERWISE SPECIFIED DIMENSIONS ARE IN MILLIMETERS, DIMENSIONS IN [] ARE IN INCHES FOR CUSTOMER REFERENCE ONLY UNLESS OTHERWISE SPECIFIED TOLERANCE ARE:

.XX	±0.13 [.005"]
.X	±0.20 [.008"]
X	±0.50 [.019"]
.X°	±1°
X°	±2°

THESE DRAWINGS AND SPECIFICATIONS ARE THE PROPERTY OF ANOISON ELECTRONICS LTD AND SHOULD NOT BE USED WITHOUT WRITTEN PERMISSION COPYRIGHT © 2018 ANOISON ELECTRONICS LTD



TITLE
SMA PUSH ON STRAIGHT MALE SOLDER FOR .141 CABLE

VIEW	PART NO. ANO 2111-2513		
	SIZE A3	SCALE 5:1	SHEET 1/1
		REV. A	

4

3

2

1