

MATERIAL & FINISH:

- 1 BODY: BRASS, GOLD PLATED
- 2 CENTER CONTACT: BRASS, GOLD PLATED
- 3 INSULATOR: PTFE
- 4 COUPLING NUT: BRASS, GOLD PLATED
- 5 RETAINING RING: BERYLLIUM COPPER ALLOY, NICKEL PLATED
- 6 GASKET: MVQ(SILICONE RUBBER)

ELECTRICAL DATA:

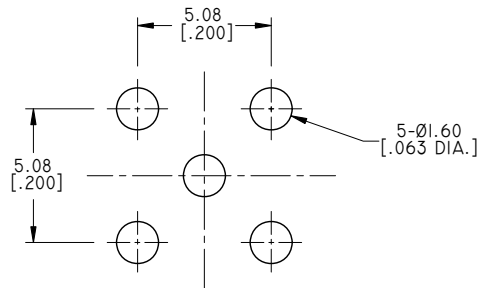
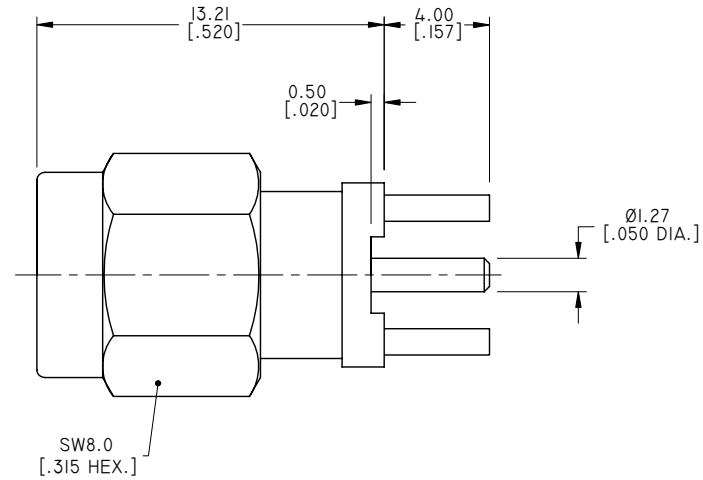
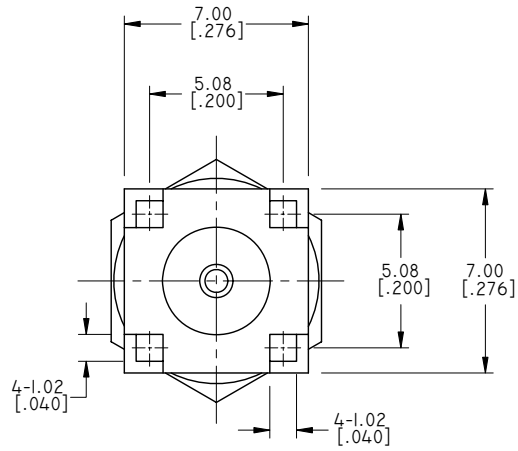
- 1 IMPEDANCE: 50 Ω
- 2 FREQUENCY RANGE: DC~18 GHZ

ENVIRONMENTAL DATA:

- 1 TEMPERATURE RANGE: -55°C~+125°C
- 2 2011/65/EU (RoHS): COMPLIANT

REVISIONS

REV.	DESCRIPTION	DATE	APPROVED
B	FINISH CHANGED	07/11/12	J. QU
C	4.00 [.575] ADDED	05/05/16	J. QU



RECOMMENDED MOUNTING HOLE

DRAWN	X. B. YANG	DATE	05/05/16
CHECKED	L. YANG	DATE	05/05/16
APPROVED	J. QU	DATE	05/05/16

UNLESS OTHERWISE SPECIFIED DIMENSIONS ARE IN MILLIMETERS. DIMENSIONS IN [] ARE IN INCHES FOR CUSTOMER REFERENCE ONLY UNLESS OTHERWISE SPECIFIED TOLERANCE ARE:

.XX	±0.13 [.005"]
.X	±0.20 [.008"]
X	±0.50 [.019"]
.X°	±1°
X°	±2°

THESE DRAWINGS AND SPECIFICATIONS ARE THE PROPERTY OF ANOISON ELECTRONICS LTD AND SHOULD NOT BE USED WITHOUT WRITTEN PERMISSION COPYRIGHT © 2016 ANOISON ELECTRONICS LTD



TITLE
SMA STRAIGHT MALE PCB MOUNT RECEPTACLE

VIEW	PART NO. ANO 2111-2228		
	SIZE A3	SCALE 5:1	SHEET 1/1
	REV. C		