

4

3

2

1

## 1.0 MATERIAL &amp; FINISH

1.1 BODY: SEE TABLE

1.2 CENTER CONTACT: BRASS, GOLD PLATED

1.3 INSULATOR: PTFE

1.4 COUPLING NUT: SEE TABLE

## 2.0 ENVIRONMENTAL DATA:

2.1 TEMPERATURE RANGE: -55°C~+165°C

2.2 2011/65/EU (RoHS): COMPLIANT

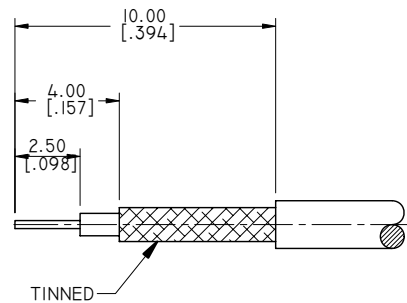
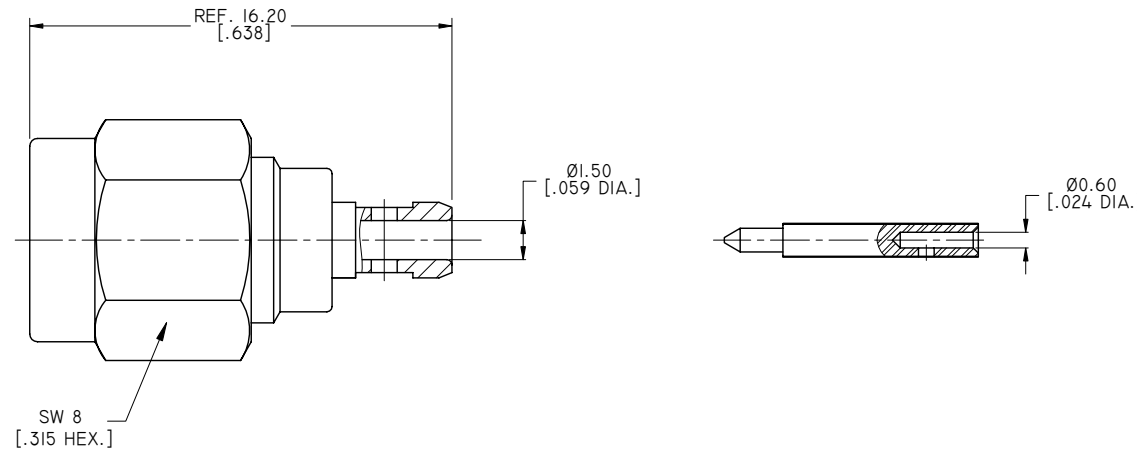
## 3.0 ELECTRICAL SPECIFICATIONS:

3.1 IMPEDANCE: 50 Ω

3.2 FREQUENCY RANGE: DC~6GHZ

3.3 VSWR: ≤1.50

REVISIONS			
REV.	DESCRIPTION	DATE	APPROVED
D	DRAWING FORMAT CHANGED	07/24/17	J. QU
E	ADDED TABLE	12/16/19	J. QU



CABLE STRIPPING DIMENSIONS

PART NO.	MATERIAL & FINISH	
	BODY	COUPLING NUT
ANO 2111-2066	BRASS, GOLD PLATED	BRASS, GOLD PLATED
ANO 2111-2066-I	STAINLESS STEEL, GOLD PLATED	STAINLESS STEEL, PASSIVATED

DRAWN	P. CHEN	DATE	12/16/19		
CHECKED	L. YANG	DATE	12/16/19		
APPROVED	J. QU	DATE	12/16/19		
UNLESS OTHERWISE SPECIFIED DIMENSIONS ARE IN MILLIMETERS, DIMENSIONS IN [ ] ARE IN INCHES FOR CUSTOMER REFERENCE ONLY UNLESS OTHERWISE SPECIFIED TOLERANCE ARE:		THESE DRAWINGS AND SPECIFICATIONS ARE THE PROPERTY OF ANOISON ELECTRONICS LTD AND SHOULD NOT BE USED WITHOUT WRITTEN PERMISSION COPYRIGHT © 2019 ANOISON ELECTRONICS LTD		TITLE	SMA STRAIGHT MALE SOLDER FOR RG178
.XX ±0.13 [.005"] .X ±0.20 [.008"] X ±0.50 [.019"] .X° ±1° X° ±2°		VIEW		PART NO.	ANO 2111-2066
SIZE	A3	SCALE	5:1	SHEET	1/1
REV.	E				

4

3

2

1