

4

3

2

1

MATERIAL & FINISH:

- 1 BODY: SEE TABLE
- 2 COUPLING NUT: SEE TABLE
- 3 CENTER CONTACT: BRASS, GOLD PLATED
- 4 INSULATOR: PTFE
- 5 GASKET: MVQ (SILICONE RUBBER)

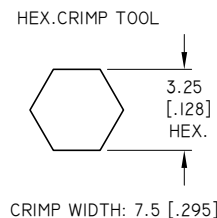
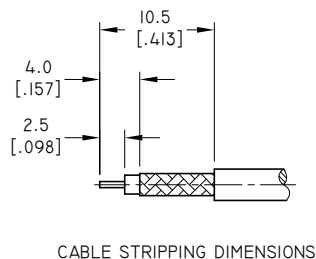
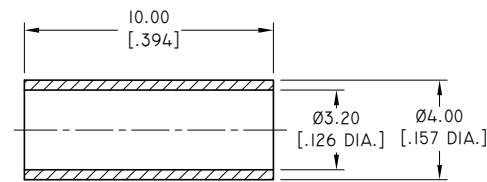
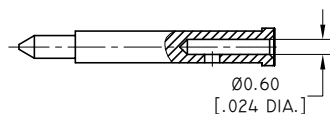
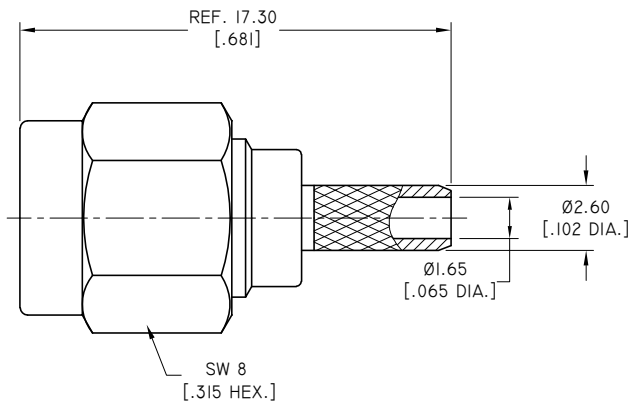
ENVIRONMENTAL DATA:

- 1 TEMPERATURE RANGE: -65°C~+165°C
- 2 2011/65/EU (RoHS): COMPLIANT

ELECTRICAL DATA:

- 1 IMPEDANCE: 50 Ω
- 2 FREQUENCY RANGE: DC~12.4 GHz
- 3 VSWR: 1.15+0.02 X F(GHZ)
- 4 INSERTION LOSS: 0.06 X √F(GHZ)
- 5 WITHSTANDING VOLTAGE: 750V
- 6 INSULATION RESISTANCE: 5000 MΩ

REVISIONS			
REV.	DESCRIPTION	DATE	APPROVED
G	TECHNICAL DATA ADDED	12/03/12	J. QU
H	ADDED TABLE	02/03/16	J. QU
I	ADDED TABLE	04/11/16	J. QU
J	ANO 2111-2008-1 WAS ANO 2111-2008A ANO 2111-2008-2 WAS ANO 2111-2008B ANO 2111-2008-3 WAS ANO 2111-2008C	11/20/17	J. QU



PART NO.	PART	MATERIAL	FINISH
ANO 2111-2008	BODY/COUPLING NUT	BRASS	ALBALOY
ANO 2111-2008-1		BRASS	GOLD
ANO 2111-2008-2		STAINLESS STEEL	GOLD
ANO 2111-2008-3		BRASS	NICKEL

DRAWN	X. B. YANG	DATE	11/20/17
CHECKED	P. CHEN	DATE	11/20/17
APPROVED	J. QU	DATE	11/20/17
UNLESS OTHERWISE SPECIFIED DIMENSIONS ARE IN MILLIMETERS, DIMENSIONS IN [] ARE IN INCHES FOR CUSTOMER REFERENCE ONLY UNLESS OTHERWISE SPECIFIED TOLERANCE ARE:		THESE DRAWINGS AND SPECIFICATIONS ARE THE PROPERTY OF ANOISON ELECTRONICS LTD AND SHOULD NOT BE USED WITHOUT WRITTEN PERMISSION COPYRIGHT © 2017 ANOISON ELECTRONICS LTD	
.XX	±0.13 [0.005"]		
.X	±0.20 [0.008"]		
X	±0.50 [0.019"]		
.X°	±1°		
X°	±2°		

TITLE
SMA STRAIGHT MALE CRIMP
FOR LMR100/RG316/RG174 CABLE

VIEW

PART NO.
ANO 2111-2008

SIZE A3	SCALE 5:1	SHEET 1/1	REV. J
-------------------	---------------------	---------------------	------------------

D

D

C

C

B

B

A

A

4

3

2

1