

4

3

2

1

MATERIAL & FINISH:

- 1 BODY: BRASS, GOLD PLATED
- 2 CENTER CONTACT: BRASS, GOLD PLATED
- 3 INSULATOR: PTFE
- 4 COUPLING NUT: BRASS, GOLD PLATED
- 5 GASKET: SILICONE RUBBER

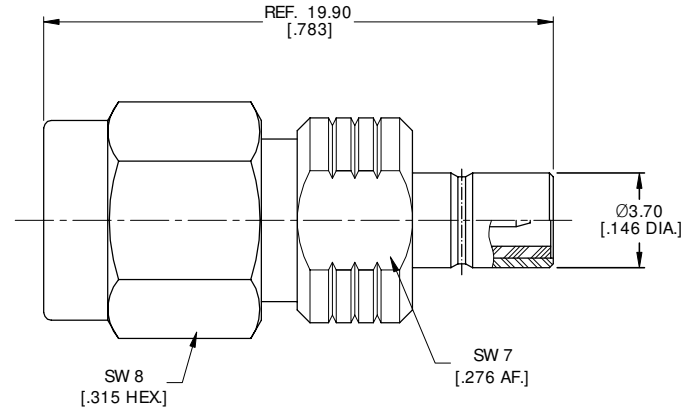
ENVIRONMENTAL DATA:

- 1 TEMPERATURE RANGE: -55 °C~+125 °C
- 2 2011/65/EU(RoHS) AND 2015/863/(RoHS): COMPLIANT
- 3 1907/2006/EC(REACH): COMPLIANT

ELECTRICAL DATA:

- 1 IMPEDANCE: 50 Ω
- 2 FREQUENCY RANGE: DC~4 GHz
- 3 VSWR: 1.20 MAX.

REVISIONS			
REV.	DESCRIPTION	DATE	APPROVED
A	INITIAL RELEASE	03/03/22	J Q



DRAWN	X. Y	DATE	03/03/22
CHECKED	W. Y	DATE	03/03/22
APPROVED	J Q	DATE	03/03/22
UNLESS OTHERWISE SPECIFIED DIMENSIONS ARE IN MILLIMETERS, DIMENSIONS IN [] ARE IN INCHES FOR CUSTOMER REFERENCE ONLY UNLESS OTHERWISE SPECIFIED TOLERANCE ARE:		THESE DRAWINGS AND SPECIFICATIONS ARE THE PROPERTY OF ANOISON ELECTRONICS LTD AND SHOULD NOT BE USED WITHOUT WRITTEN PERMISSION COPYRIGHT © 2023 ANOISON ELECTRONICS LTD	
.XX	±0.13 [005"]		
.X	±0.20 [008"]		
X	±0.50 [019"]		
.X°	±1°		
X°	±2°		



TITLE			
ADAPTER, SMA MALE TO SMB JACK			
VIEW		PART NO.	
		ANO 211-452-1625	
SIZE	SCALE	SHEET	REV.
A3	5:1	1/1	A

4

3

2

1