

REVISIONS

REV.	DESCRIPTION	DATE	APPROVED
A	INITIAL RELEASE	11/22/14	J. QU

MATERIAL & FINISH:

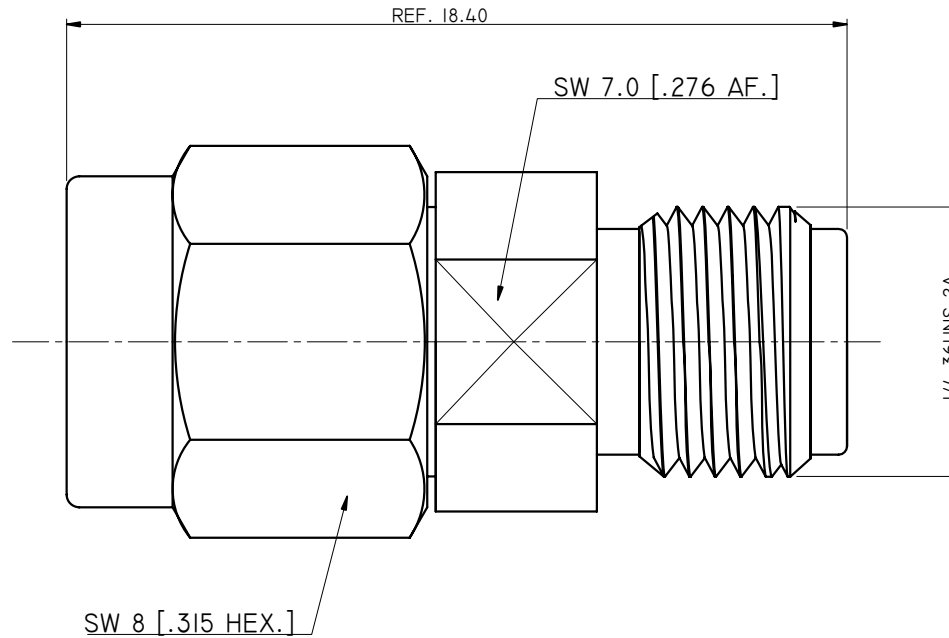
1. BODY: SEE TABLE
2. CENTER CONTACT: BERYLLIUM COPPER ALLOY, GOLD PLATED
3. INSULATOR: PTFE
4. COUPLING NUT: SEE TABLE
5. GASKET: MVQ(SILICONE RUBBER)

ENVIRONMENTAL DATA:

1. TEMPERATURE RANGE: -55°C~+125°C
2. 2011/65/EU (RoHS): COMPLIANT

ELECTRICAL DATA:

1. IMPEDANCE: 50 Ω
2. FREQUENCY RANGE: DC~18GHZ
3. VSWR: 1.15 MAX. AT DC~6GHZ
1.25 MAX. AT 6~18GHZ



PART NO.	PART	MATERIAL	FINISH
ANO 211-212-1066	COUPLING NUT/BODY	BRASS	ALBALOY
ANO 211-212-1066-1		BRASS	GOLD
ANO 211-212-1066-2		STAINLESS STEEL	PASSIVATED

DRAWN L. YANG	DATE 11/22/14		
CHECKED X. B. YANG	DATE 11/22/14		
APPROVED J. QU	DATE 11/22/14		
<small>UNLESS OTHERWISE SPECIFIED DIMENSIONS ARE IN MILLIMETERS, DIMENSIONS IN [] ARE IN INCHES FOR CUSTOMER REFERENCE ONLY UNLESS OTHERWISE SPECIFIED TOLERANCE ARE:</small>		<small>THESE DRAWINGS AND SPECIFICATIONS ARE THE PROPERTY OF ANOISON ELECTRONICS LTD AND SHOULD NOT BE USED WITHOUT WRITTEN PERMISSION COPYRIGHT © 2014 ANOISON ELECTRONICS LTD</small>	
<small>.XX ±0.13 [.005"] .X ±0.20 [.008"] X ±0.50 [.019"] .X° ±1° X° ±2°</small>		TITLE ADAPTER, SMA MALE TO SMA FEMALE	
VIEW 		PART NO. ANO 211-212-1066	
SIZE A3	SCALE 8:1	SHEET 1/1	REV. A