

REVISIONS			
REV.	DESCRIPTION	DATE	APPROVED
A	INITIAL RELEASE	09/28/21	J. QU

MATERIAL & FINISH:

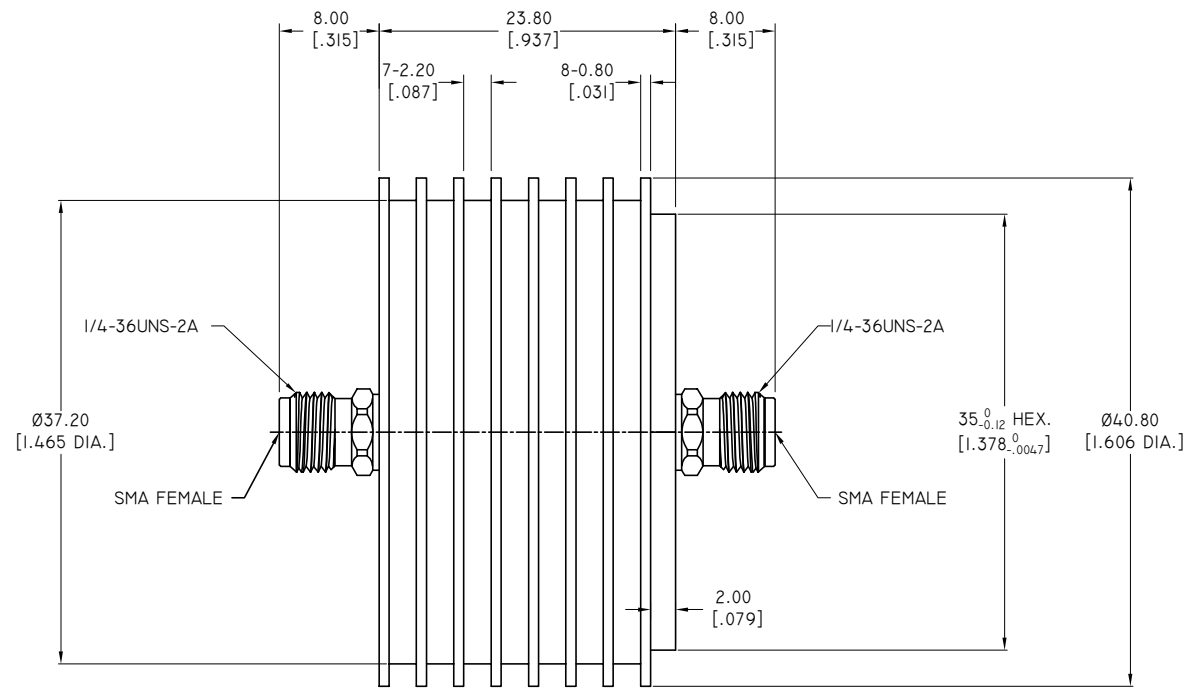
- 1 BODY: STAINLESS STEEL, PASSIVATED
- 2 CENTER CONTACT: BERYLLIUM COPPER ALLOY, GOLD PLATED
- 3 INSULATOR: PEI
- 4 RADIATOR: ALUMINIUM, BLACK

ENVIRONMENTAL DATA:

- 1 TEMPERATURE RANGE: -55°C~+125°C
- 2 2011/65/EU(RoHS) AND 2015/863/(RoHS): COMPLIANT
- 3 1907/2006/EC(REACH) AND 1999/45/EC(REACH): COMPLIANT

ELECTRICAL DATA:

- 1 IMPEDANCE: 50 Ω
- 2 FREQUENCY RANGE: DC-18 GHz
- 3 VSWR: 1.26 MAX.
- 4 AVERAGE POWER: 25W ON THE LEFT OR 16W ON THE RIGHT CORRESPONDS TO AN AMBIENT TEMPERATURE OF 25°C. WHEN THE AMBIENT TEMPERATURE RISE TO 100°C, THE POWER LINEARLY DECREASES TO 2.5W OR 1.5W
- 5 PEAK POWER: MAXIMUM POWER 500 W (5μS PULSE WIDTH WITH THE MAXIMUM 3% OR 2% DUTY CYCLE)
- 6 ATTENUATOR ACCURACY: 3^{+0.5}_{-0.6} DB
- 7 WORKING TIME: NO AIR COOLING, ≤5 MINUTES, COOLING TO BELOW 30°C CAN BE USED AGAIN; WHEN THERE IS AIR COOLING, AIR VOLUME ≥13CFM, LONG-TERM WORK



DRAWN	W. YANG	DATE	09/28/21
CHECKED	L. YANG	DATE	09/28/21
APPROVED	J. QU	DATE	09/28/21
UNLESS OTHERWISE SPECIFIED DIMENSIONS ARE IN MILLIMETERS, DIMENSIONS IN [] ARE IN INCHES FOR CUSTOMER REFERENCE ONLY UNLESS OTHERWISE SPECIFIED TOLERANCE ARE:		THESE DRAWINGS AND SPECIFICATIONS ARE THE PROPERTY OF ANOISON ELECTRONICS LTD AND SHOULD NOT BE USED WITHOUT WRITTEN PERMISSION COPYRIGHT © 2021 ANOISON ELECTRONICS LTD	
.XX	±0.13	[.005"]	
.X	±0.25	[.010"]	
X	±0.50	[.019"]	
.X°	±1°		
X°	±2°		

TITLE
ATTENUATOR SMA FEMALE TO SMA FEMALE
25 WATT, DC~18GHZ

VIEW

PART NO.
ANO 21-2502-03

SIZE A3	SCALE 2.5:1	SHEET 1/1	REV. A
-------------------	-----------------------	---------------------	------------------

4

3

2

1

D

C

B

A

D

C

B

A

4

3

2

1