

REVISIONS			
REV.	DESCRIPTION	DATE	APPROVED
A	INITIAL RELEASE	08/21/19	J. Q
B	DRAWING CHANGED	05/28/24	J. Q

**MATERIAL & FINISH:**

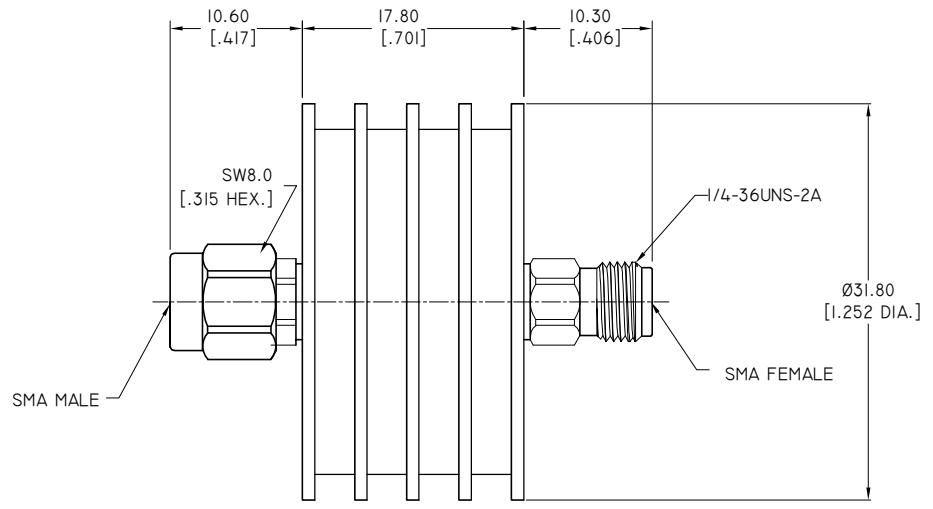
- 1 BODY: STAINLESS STEEL, PASSIVATED
- 2 CENTER CONTACT: BERYLLIUM COPPER ALLOY, GOLD PLATED
- 3 INSULATOR: PEI
- 4 COUPLING NUT: STAINLESS STEEL, PASSIVATED
- 5 RADIATOR: ALUMINIUM, BLACK

**ELECTRICAL DATA:**

- 1 IMPEDANCE: 50 Ω
- 2 FREQUENCY RANGE: DC~18 GHz
- 3 VSWR: 1.25 MAX.
- 4 AVERAGE POWER: MAXIMUM POWER 10 WATTS AVERAGE TO 25°C AMBIENT TEMPERATURE, DERATED LINEARLY TO 1W @ 125°C
- 5 PEAK POWER: MAXIMUM POWER 200 W (5μs PULSE WIDTH WITH THE MAXIMUM 2.5% DUTY CYCLE)
- 6 ATTENUATOR ACCURACY: SEE TABLE

**ENVIRONMENTAL DATA:**

- 1 TEMPERATURE RANGE: -55°C~+125°C
- 2 2011/65/EU(RoHS) AND 2015/863/(RoHS): COMPLIANT
- 3 1907/2006/EC(REACH) AND 1999/45/EC(REACH): COMPLIANT



PART NO.	ATTENUATION VALUES & ACCURACY		
	1 DB ~ 10 DB	20 DB	30 DB
ANO 21-1002-XX	+0.8 DB -0.6 DB	+0.8 DB -0.6 DB	+1.0 DB -0.8 DB
NOTE: XX REFER TO ATTENUATION VALUE IN DB			

DRAWN	W. Y	DATE	05/28/24
CHECKED	X. Y	DATE	05/28/24
APPROVED	J. Q	DATE	05/28/24
UNLESS OTHERWISE SPECIFIED DIMENSIONS ARE IN MILLIMETERS, DIMENSIONS IN [ ] ARE IN INCHES FOR CUSTOMER REFERENCE ONLY UNLESS OTHERWISE SPECIFIED TOLERANCE ARE:		THESE DRAWINGS AND SPECIFICATIONS ARE THE PROPERTY OF ANOISON ELECTRONICS LTD AND SHOULD NOT BE USED WITHOUT WRITTEN PERMISSION COPYRIGHT © 2024 ANOISON ELECTRONICS LTD	
.XX	±0.13 [.005"]		
.X	±0.25 [.010"]		
X	±0.50 [.019"]		
.X°	±1°		
X°	±2°		

**TITLE**  
ATTENUATOR SMA MALE TO SMA FEMALE  
10 WATT, DC~18GHZ

**VIEW**

**PART NO.** ANO 21-1002-XX

<b>SIZE</b>	<b>SCALE</b>	<b>SHEET</b>	<b>REV.</b>
A3	2.5:1	1/1	B

4

3

2

1

D

C

B

A

D

C

B

A

4

3

2

1