

REVISIONS			
REV.	DESCRIPTION	DATE	APPROVED
A	INITIAL RELEASE	03/13/24	J. Q

**MATERIAL & FINISH:**

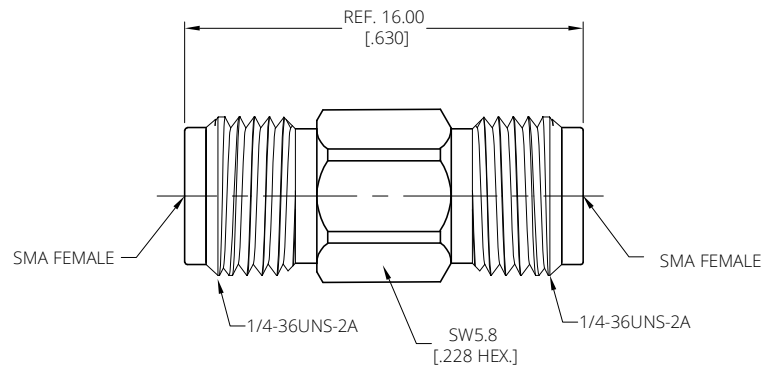
- 1 BODY: STAINLESS STEEL, PASSIVATED
- 2 CENTER CONTACT: PHOSPHOR BTONZE, GOLD PLATED
- 3 INSULATOR: PTFE

**ENVIRONMENTAL DATA:**

- 1 TEMPERATURE RANGE: -55°C~+125°C
- 2 2011/65/EU(RoHS) AND 2015/863/(RoHS): COMPLIANT
- 3 1907/2006/EC(REACH) AND 1999/45/EC(REACH): COMPLIANT

**ELECTRICAL DATA:**

- 1 IMPEDANCE: 50 Ω
- 2 FREQUENCY RANGE: DC~26.5 GHz
- 3 VSWR: 1.20 MAX.
- 4 AVERAGE POWER: MAXIUM POWER 2 WATTS AVERAGE TO 25°C AMBIENT TEMPERATRUE, DERATED LINEARLY TO 0.5W @ 125°C
- 5 PEAK POWER: MAXIUM POWER 100 W (5μS PLUSE WIDTH WITH THE MAXIMUM 1% DUTY CYCLE)
- 6 ATTENUATOR ACCURACY: SEE TABLE



PART NO.	ATTENUATION VALUES & ACCURACY			
	1 dB ~ 3 dB	4 dB ~ 15 dB	16 dB ~ 30 dB	31dB ~ 40 dB
ANO 21-0214-XX	±0.5 dB	±0.6 dB	±0.6 dB	±0.7 dB
NOTE: XX REFER TO ATTENUATION VALUE IN dB				

DRAWN	W. Y	DATE	03/13/24
CHECKED	X. Y	DATE	03/13/24
APPROVED	J. Q	DATE	03/13/24

UNLESS OTHERWISE SPECIFIED DIMENSIONS ARE IN MILLINETERS, DIMENSIONS IN [ ] ARE IN INCHES FOR CUSTOMER REFERENCE ONLY UNLESS OTHERWISE SPECIFIED TOLERANCE ARE:

XX	±0.13 [0.005"]
X	±0.20 [0.008"]
X	±0.50 [0.019"]
X*	±1°
X*	±2°

THESE DRAWINGS AND SPECIFICATIONS ARE THE PROPERTY OF ANOISON ELECTRONICS LTD AND SHOULD NOT BE USED WITHOUT WRITTEN PERMISSION COPYRIGHT © 2024 ANOISON ELECTRONICS LTD



TITLE ATTENUATOR SMA FEMALE TO SMA FEMALE 2 WATT, DC~26.5GHz			
VIEW	PART NO. ANO 21-0214-XX		
	SIZE A3	SCALE 5:1	SHEET 1/1
		REV. A	