

REVISIONS			
REV.	DESCRIPTION	DATE	APPROVED
A	INITIAL RELEASE	08/21/19	J QU
B	VSWR: 1.15 MAX. WAS VSWR: 1.10 MAX.	05/28/20	J QU
C	ADDED PRINT TEXT	07/25/25	J QU

MATERIAL & FINISH:

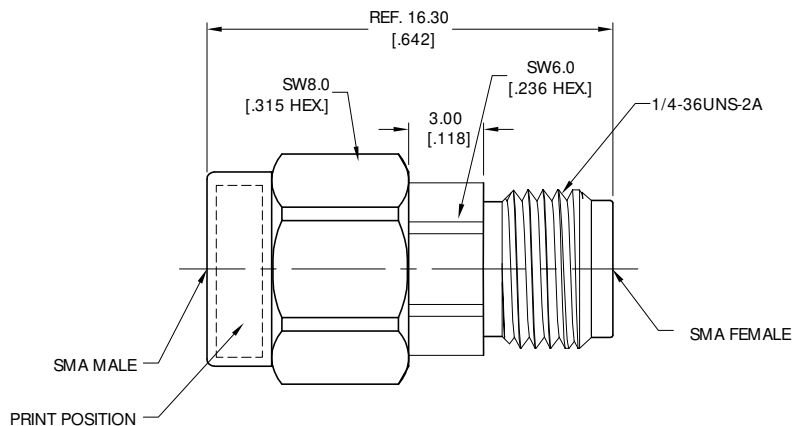
- BODY: STAINLESS STEEL, PASSIVATED
- CENTER CONTACT: PHOSPHOR BTONZE, GOLD PLATED
- INSULATOR: PTFE

ELECTRICAL DATA:

- IMPEDANCE: 50 Ω
- FREQUENCY RANGE: DC~18 GHz
- VSWR: 1.15 MAX.
- AVERAGE POWER: MAXIMUM POWER 2 WATTS AVERAGE TO 25°C AMBIENT TEMPERATURE, DERATED LINEARLY TO 0.5W @ 125°C
- PEAK POWER: MAXIMUM POWER 100 W (5μS PULSE WIDTH WITH THE MAXIMUM 1% DUTY CYCLE)
- ATTENUATOR ACCURACY: SEE TABLE

ENVIRONMENTAL DATA:

- TEMPERATURE RANGE: -55°C~+125°C
- 2011/65/EU (RoHS) AND 2015/863/(RoHS): COMPLIANT
- 1907/2006/EC (REACH) AND 1999/45/EC (REACH): COMPLIANT



PRINT TEXT: ANO 21-0201-0X XdB
X EQUAL TO ATTENUATION VALUE

PART NO.	ATTENUATION VALUES & ACCURACY				
	1dB ~ 10 dB	15 dB	20 dB	25 dB	30 dB
ANO 21-0201-XX	±0.5 dB	±0.5 dB	±0.5 dB	±0.6 dB	±0.8 dB
NOTE: XX REFER TO ATTENUATION VALUE IN dB					

DRAWN	P. CHEN	DATE	07/25/25
CHECKED	W. YANG	DATE	07/25/25
APPROVED	J QU	DATE	07/25/25
UNLESS OTHERWISE SPECIFIED DIMENSIONS ARE IN MILLIMETERS, DIMENSIONS IN [] ARE IN INCHES FOR CUSTOMER REFERENCE ONLY UNLESS OTHERWISE SPECIFIED TOLERANCE ARE:		THESE DRAWINGS AND SPECIFICATIONS ARE THE PROPERTY OF ANOISON ELECTRONICS LTD AND SHOULD NOT BE USED WITHOUT WRITTEN PERMISSION COPYRIGHT © 2025 ANOISON ELECTRONICS LTD	
XX	±0.13 [.005"]		
.X	±0.20 [.008"]		
X	±0.50 [.019"]		
.X°	±1°		
X°	±2°		



TITLE			
ATTENUATOR SMA MALE TO SMA FEMALE 2 WATT, DC~18GHZ			
VIEW	PART NO.		
	ANO 21-0201-XX		
SIZE	SCALE	SHEET	REV.
A3	5:1	1/1	C