

4

3

2

1

MATERIAL & FINISH

- 1 BODY: BRASS, GOLD PLATED
- 2 OUT CONTACT: BERYLLIUM COPPER ALLOY, GOLD PLATED
- 3 CENTER CONTACT: BRASS, GOLD PLATED
- 4 INSULATOR: PTFE

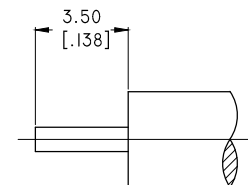
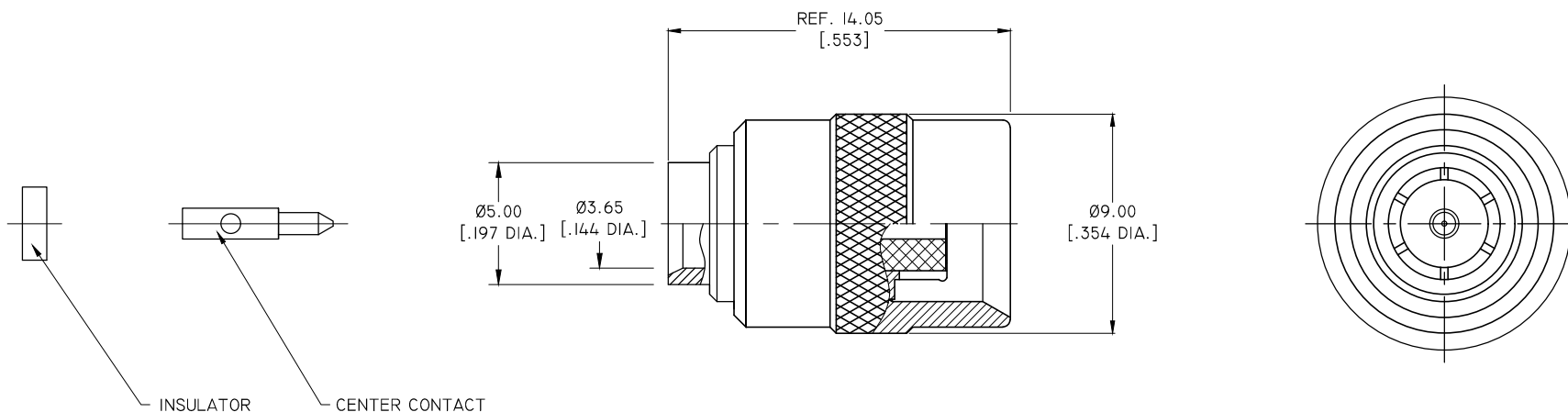
ELECTRICAL DATA:

- 1 IMPEDANCE: 50 OHMS
- 2 FREQUENCY RANGE: DC~6 GHZ

REVISIONS			
REV.	DESCRIPTION	DATE	APPROVED
A	INITIAL RELEASE	02/13/17	J. QU

ENVIRONMENTAL DATA:

- 1 TEMPERATURE RANGE: -65°C~+165°C
- 2 2011/65/EU(RoHS) AND 2015/863/(RoHS): COMPLIANT
- 3 1999/45/EC(REACH): COMPLIANT



CABLE STRIPPING DIMENSIONS

DRAWN	W. YANG	DATE	02/13/17
CHECKED	L. YANG	DATE	02/13/17
APPROVED	J. QU	DATE	02/13/17
UNLESS OTHERWISE SPECIFIED DIMENSIONS ARE IN MILLIMETERS. DIMENSIONS IN [ ] ARE IN INCHES FOR CUSTOMER REFERENCE ONLY UNLESS OTHERWISE SPECIFIED TOLERANCE ARE:		THESE DRAWINGS AND SPECIFICATIONS ARE THE PROPERTY OF ANOISON ELECTRONICS LTD AND SHOULD NOT BE USED WITHOUT WRITTEN PERMISSION COPYRIGHT © 2017 ANOISON ELECTRONICS LTD	
.XX	+0.13 [.005"]		
.X	+0.20 [.008"]		
X	+0.50 [.019"]		
.X°	±1°		
X°	±2°		



TITLE  
PUSH ON SMA STRAIGHT MALE SOLDER FOR .141 CABLE

VIEW	PART NO. ANO 2011-2003		
	SIZE A3	SCALE 5:1	SHEET 1/1
			REV. A

4

3

2

1