

**MATERIAL & FINISH:**

- 1 BODY: BERYLLIUM COPPER ALLOY, GOLD PLATED
- 2 CENTER CONTACT: BERYLLIUM COPPER ALLOY, GOLD PLATED
- 3 INSULATOR: PEEK
- 4 COUPLING NUT: STAINLESS STEEL, PASSIVATED
- 5 RETAINING RING: BERYLLIUM COPPER ALLOY, UNPLATED

**ELECTRICAL DATA:**

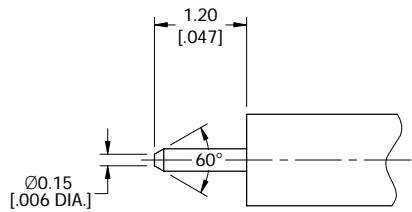
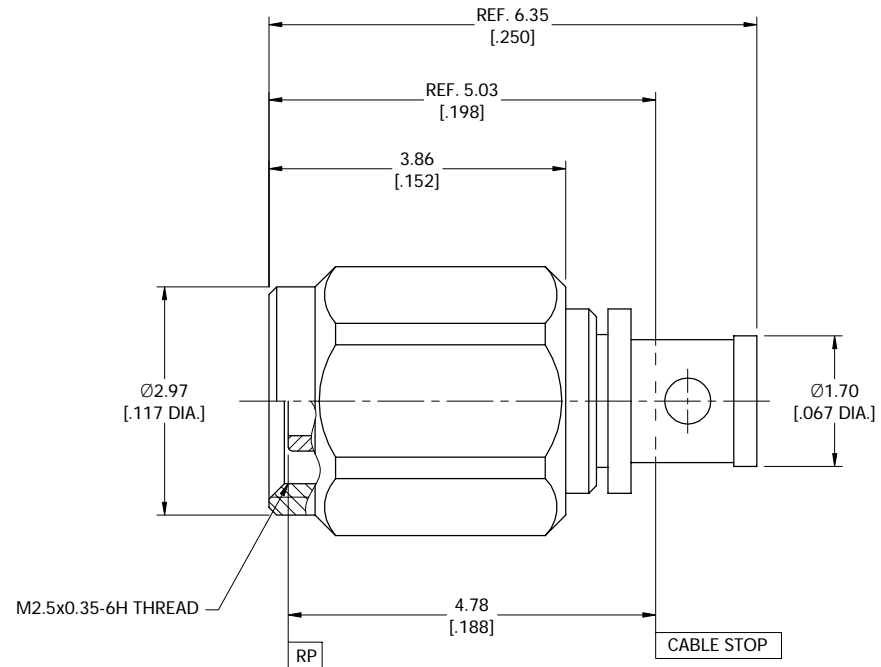
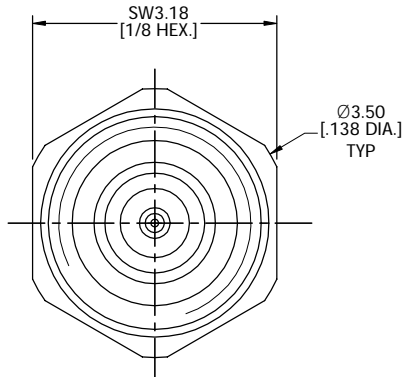
- 1 IMPEDANCE: 50 Ω
- 2 FREQUENCY RANGE: DC-67 GHz

**ENVIRONMENTAL DATA:**

- 1 TEMPERATURE RANGE: -55°C ~ +125°C
- 2 2011/65/EU(RoHS) AND 2015/863/(RoHS): COMPLIANT
- 3 1907/2006/EC(REACH): COMPLIANT

**REVISIONS**

| REV. | DESCRIPTION     | DATE     | APPROVED |
|------|-----------------|----------|----------|
| A    | INITIAL RELEASE | 03/07/24 | J. Q     |



CABLE STRIPPING DIMENSIONS

|          |      |      |          |
|----------|------|------|----------|
| DRAWN    | X. Y | DATE | 03/07/24 |
| CHECKED  | W. Y | DATE | 03/07/24 |
| APPROVED | J. Q | DATE | 03/07/24 |

UNLESS OTHERWISE SPECIFIED DIMENSIONS ARE IN MILLIMETERS, DIMENSIONS IN [ ] ARE IN INCHES FOR CUSTOMER REFERENCE ONLY UNLESS OTHERWISE SPECIFIED TOLERANCE ARE:

|    |               |
|----|---------------|
| XX | ±0.13 [.005"] |
| X  | ±0.20 [.008"] |
| X  | ±0.50 [.019"] |
| X° | ±1°           |
| X" | ±2°           |

THESE DRAWINGS AND SPECIFICATIONS ARE THE PROPERTY OF ANOISON ELECTRONICS LTD AND SHOULD NOT BE USED WITHOUT WRITTEN PERMISSION COPYRIGHT © 2024 ANOISON ELECTRONICS LTD



TITLE  
0.9MM STRAIGHT MALE SOLDER FOR .047 CABLE

|      |                           |               |              |           |
|------|---------------------------|---------------|--------------|-----------|
| VIEW | PART NO.<br>ANO 2011-2001 |               |              |           |
|      | SIZE<br>A3                | SCALE<br>15:1 | SHEET<br>1/1 | REV.<br>A |