

4 3 2 1

REVISIONS

REV.	DESCRIPTION	DATE	APPROVED
A	INITIAL RELEASE	08/28/23	J. Q

**MATERIAL & FINISH:**

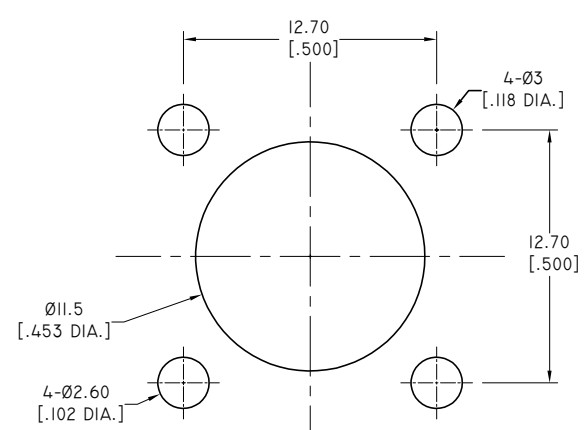
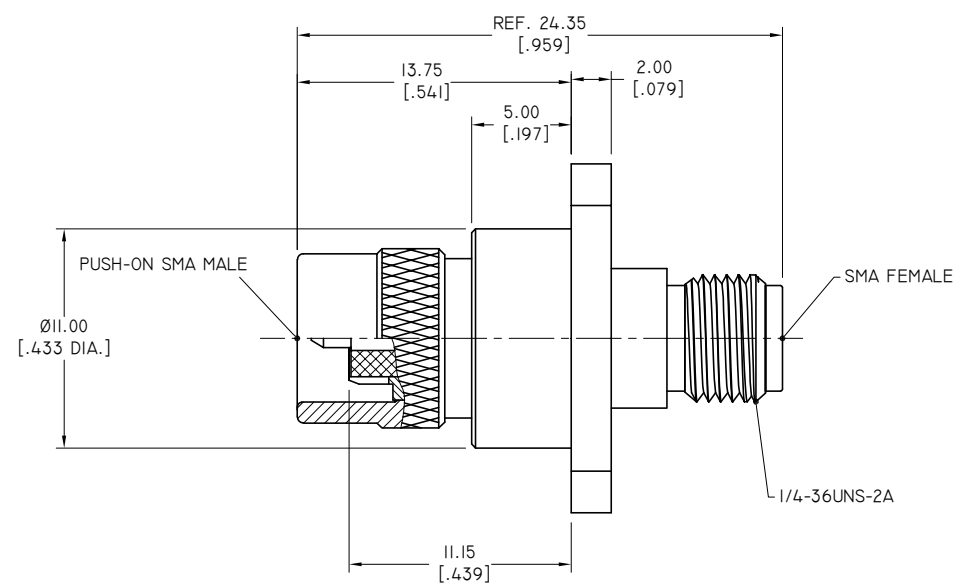
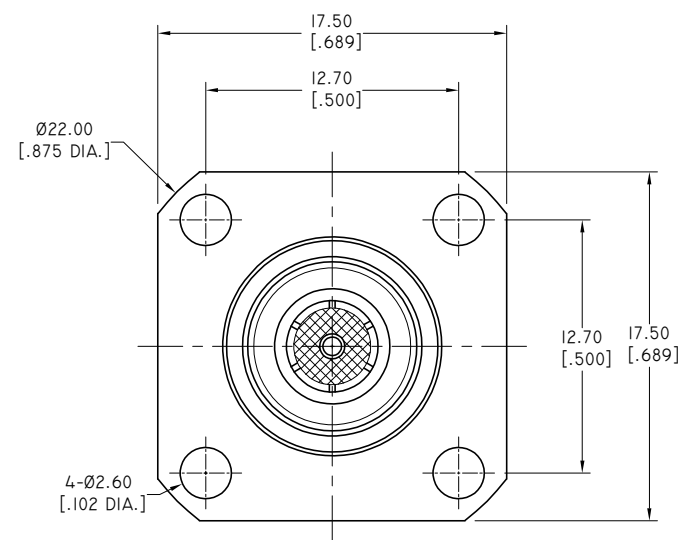
- 1 BODY: STAINLESS STEEL, PASSIVATED
- 2 CENTER CONTACT: BERYLLIUM COPPER ALLOY, GOLD PLATED
- 3 OUTER CONTACT: BERYLLIUM COPPER ALLOY, GOLD PLATED
- 4 INSULATOR: PTFE & PEI
- 5 COUPLING NUT: STAINLESS STEEL, PASSIVATED

**ELECTRICAL DATA:**

- 1 IMPEDANCE: 50 Ω
- 2 FREQUENCY RANGE: DC~27 GHz
- 3 VSWR: 1.15 MAX. @ DC~18GHz  
1.35 MAX. @ 18 ~ 27 GHz

**ENVIRONMENTAL DATA:**

- 1 TEMPERATURE RANGE: -55°C~+125°C
- 2 2011/65/EU (RoHS): COMPLIANT



RECOMMENDED MOUNTING HOLE

DRAWN	W. Y	DATE	08/28/23
CHECKED	L. Y	DATE	08/28/23
APPROVED	J. Q	DATE	08/28/23
UNLESS OTHERWISE SPECIFIED DIMENSIONS ARE IN MILLIMETERS, DIMENSIONS IN [ ] ARE IN INCHES FOR CUSTOMER REFERENCE ONLY UNLESS OTHERWISE SPECIFIED TOLERANCE ARE:		THESE DRAWINGS AND SPECIFICATIONS ARE THE PROPERTY OF ANOISON ELECTRONICS LTD AND SHOULD NOT BE USED WITHOUT WRITTEN PERMISSION COPYRIGHT © 2023 ANOISON ELECTRONICS LTD	
.XX	±0.13 [0.005"]		
.X	±0.20 [0.008"]		
X	±0.50 [0.019"]		
X*	±1°		
X*	±2°		



TITLE  
ADAPTER  
PUSH-ON SMA MALE TO SMA FEMALE, 4 HOLE FLANGE

VIEW	PART NO. ANO 201-212-1647			
	SIZE A3	SCALE 4:1	SHEET 1/1	REV. A

4 3 2 1