

4

3

2

1

MATERIAL & FINISH

- 1 BODY: BRASS, GOLD PLATED
- 2 OUT CONTACT: BERYLLIUM COPPER ALLOY, GOLD PLATED
- 3 CENTER CONTACT: BERYLLIUM COPPER ALLOY, GOLD PLATED
- 4 INSULATOR: PTFE

ENVIRONMENTAL DATA:

- 1 TEMPERATURE RANGE: -65°C~+165°C
- 2 2015/863/(RoHS): COMPLIANT
- 3 1907/2006/EC(REACH) AND 1999/45/EC(REACH): COMPLIANT

ELECTRICAL DATA:

- 1 IMPEDANCE: 50 OHMS
- 2 FREQUENCY RANGE: DC~18 GHz
- 3 VSWR: ≤1.06 AT DC~3GHz  
≤1.12 AT 3~12GHz  
≤1.18 AT 12~18GHz
- 4 INSERTION LOSS: ≤0.05dB x √F(GHZ)
- 5 INSULATION RESISTANCE: ≥5000 MΩ
- 6 CENTER CONTACT RESISTANCE: ≤3 MΩ
- 7 OUTER CONTACT RESISTANCE: ≤3 MΩ
- 8 TEST VOLTAGE: 1000 V RMS
- 9 WORKING VOLTAGE: 350 V RMS

MECHANICAL DATA:

- 1 MATING CYCLES: 1000 MIN.
- 2 CENTER CONTACT CAPTIVATION: ≥27 N

REVISIONS

REV.	DESCRIPTION	DATE	APPROVED
A	INITIAL RELEASE	01/09/17	J. QU
B	MATING CYCLES CHANGED	06/18/19	J. QU

D

D

C

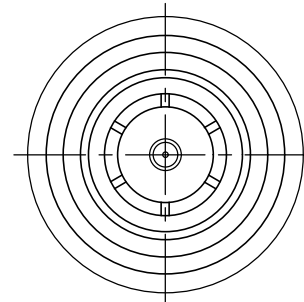
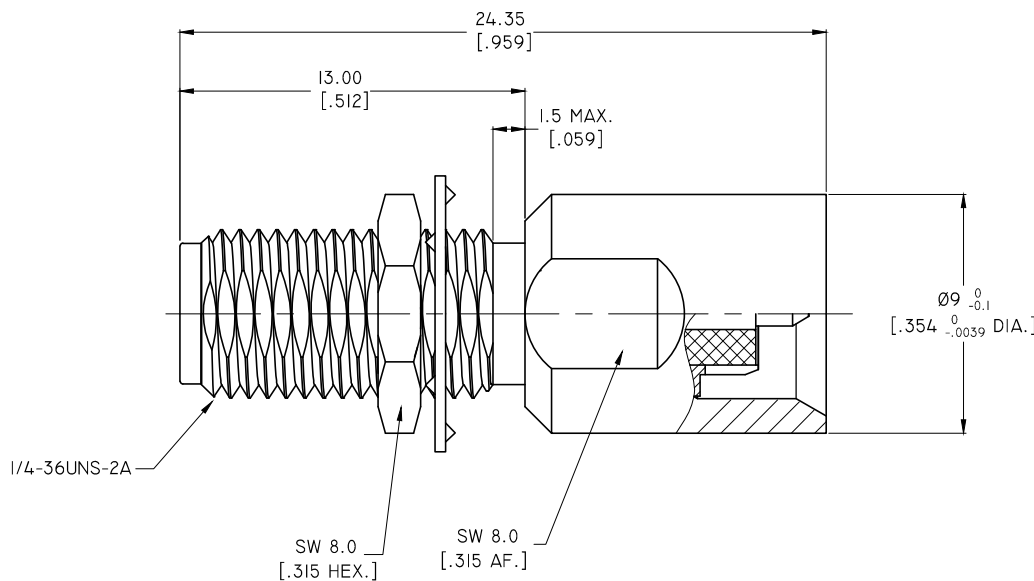
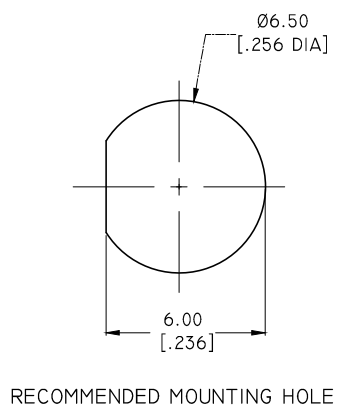
C

B

B

A

A



DRAWN	W. YANG	DATE	06/18/19
CHECKED	L. YANG	DATE	06/18/19
APPROVED	J. QU	DATE	06/18/19
UNLESS OTHERWISE SPECIFIED DIMENSIONS ARE IN MILLIMETERS. DIMENSIONS IN [ ] ARE IN INCHES FOR CUSTOMER REFERENCE ONLY UNLESS OTHERWISE SPECIFIED TOLERANCE ARE:		THESE DRAWINGS AND SPECIFICATIONS ARE THE PROPERTY OF ANOISON ELECTRONICS LTD AND SHOULD NOT BE USED WITHOUT WRITTEN PERMISSION COPYRIGHT © 2019 ANOISON ELECTRONICS LTD	
.XX	±0.13 [ .005"]		
.X	±0.20 [ .008"]		
X	±0.50 [ .019"]		
.X°	±1°		
X°	±2°		



TITLE			
ADAPTER PUSH-ON SMA MALE TO SMA FEMALE BULKHEAD			
VIEW		PART NO.	
		ANO 201-212-1388	
SIZE	SCALE	SHEET	REV.
A3	5:1	1/1	B

4

3

2

1