

4

3

2

1

MATERIAL & FINISH:

- 1. BODY: STAINLESS STEEL, PASSIVATED
- 2. OUTER CONTACT: BERYLLIUM COPPER ALLOY, GOLD PLATED
- 3. CENTER CONTACT: BERYLLIUM COPPER ALLOY, GOLD PLATED
- 4. INSULATOR: PTFE & PEI

ELECTRICAL DATA:

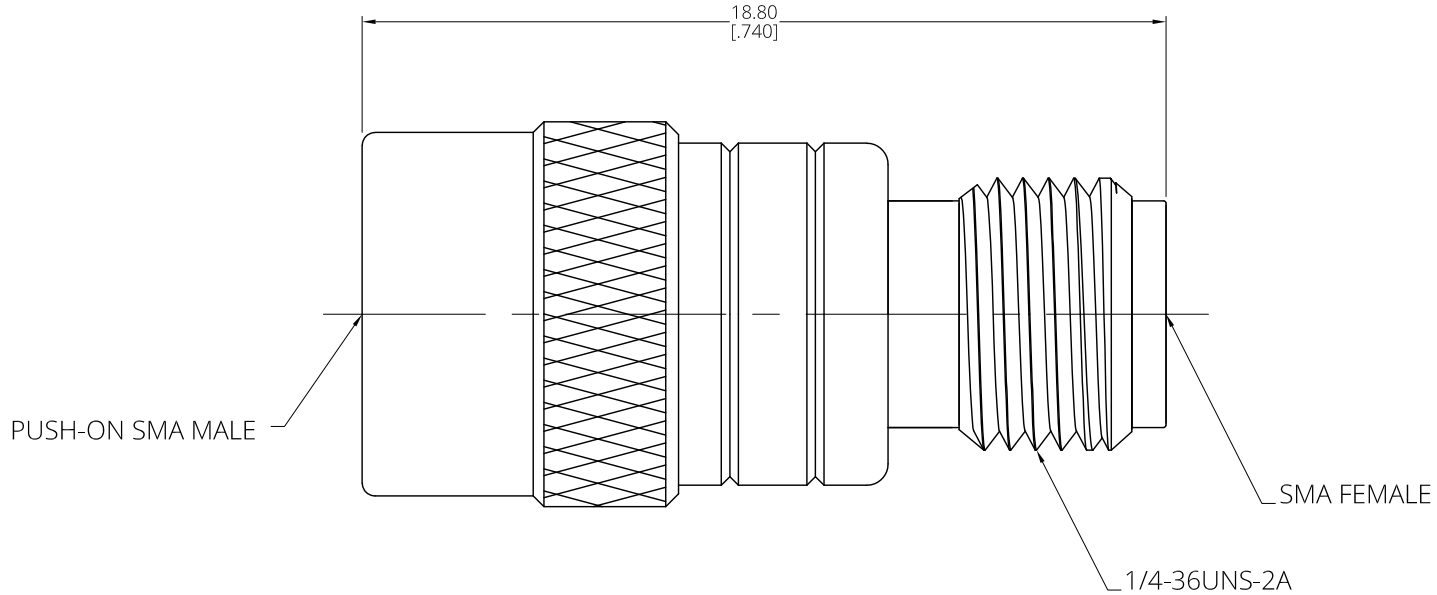
- 1. IMPEDANCE: 50 Ω
- 2. FREQUENCY RANGE: DC~18GHz
- 3. VSWR: 1.05 MAX @ DC~3GHz
1.09 MAX. @ 3~6GHz
1.15 max. @6~18GHz
- 4. DIELECTRIC WITHSTANDING VOLTAGE: 500 V MAX.

ENVIRONMENTAL DATA:

- 1. TEMPERATURE RANGE: -55°C~+155°C
- 2. 2011/65/EU (RoHS): COMPLIANT
- 3. MATING LIFE CHANGED: 1000 CYCLES MIN.(PUSH-ON SMA)

REVISIONS

REV.	DESCRIPTION	DATE	APPROVED
A	INITIAL RELEASE	05/21/12	J. Q
B	PART NUMBER AND FINISH CHANGED	09/05/12	J. Q
C	ADDED MATING LIFE CHANGED	02/27/26	J. Q



DRAWN	L. Y	DATE	02/27/26
CHECKED	W. Y	DATE	02/27/26
APPROVED	J. Q	DATE	02/27/26
UNLESS OTHERWISE SPECIFIED DIMENSIONS ARE IN MILLIMETERS, DIMENSIONS IN [] ARE IN INCHES FOR CUSTOMER REFERENCE ONLY UNLESS OTHERWISE SPECIFIED TOLERANCE ARE:		THESE DRAWINGS AND SPECIFICATIONS ARE THE PROPERTY OF ANOISON ELECTRONICS LTD AND SHOULD NOT BE USED WITHOUT WRITTEN PERMISSION COPYRIGHT © 2026 ANOISON ELECTRONICS LTD	
.XX	±0.13 [.005"]		
.X	±0.20 [.008"]		
X	±0.50 [.019"]		
X*	±1°		
X*	±2°		



TITLE ADAPTER PUSH-ON SMA MALE TO SMA FEMALE			
VIEW 	PART NO. ANO 201-212-1182		
SIZE A3	SCALE 4:1	SHEET 1/1	REV. C