

MATERIAL & FINISH

- 1 BODY: BRASS, GOLD PLATED
- 2 CENTER CONTACT: BRASS, GOLD PLATED
- 3 CRIMP FERRULE: BRASS, NICKEL PLATED
- 4 INSULATOR: PTFE

ELECTRICAL DATA:

- 1 IMPEDANCE: 50 OHMS
- 2 FREQUENCY RANGE: DC~4 GHZ

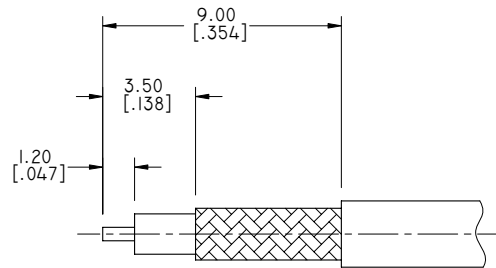
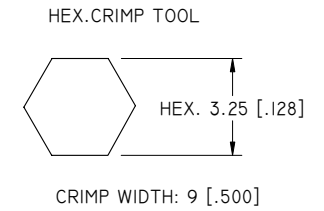
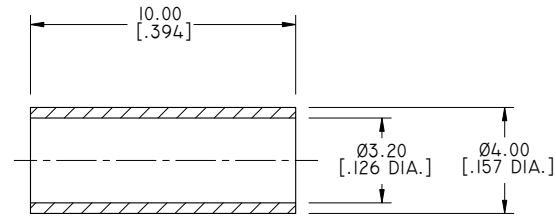
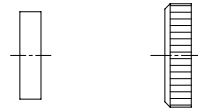
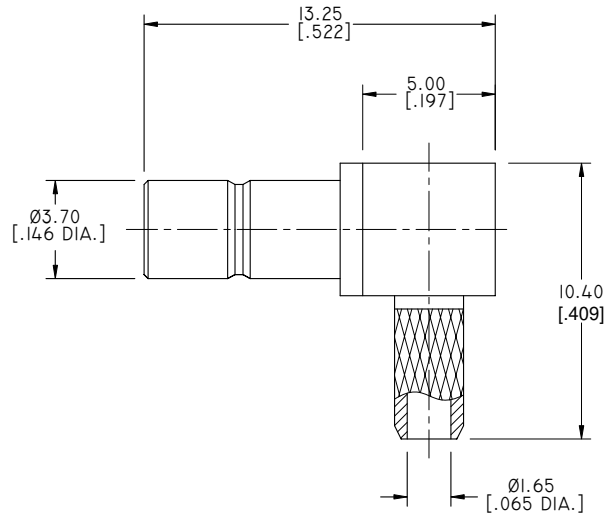
ENVIRONMENTAL DATA:

- 1 TEMPERATURE RANGE: -55 °C~+125 °C
- 2 2011/65/EU (RoHS): COMPLIANT

MECHANICAL DATA:

- 1 INTERFACE STANDARDS: IEC60169-10
MIL-STD-348A

REVISIONS			
REV.	DESCRIPTION	DATE	APPROVED
A	INITIAL RELEASE	11/25/09	J. QU
B	OUTLINE DRAWNGG CHANGED	08/11/15	J. QU



CABLE STRIPPING DIMENSIONS

DRAWN	X. B. YANG	DATE	08/11/15		
CHECKED	L. YANG	DATE	08/11/15		
APPROVED	J. QU	DATE	08/11/15		
UNLESS OTHERWISE SPECIFIED DIMENSIONS ARE IN MILLIMETERS. DIMENSIONS IN [] ARE IN INCHES FOR CUSTOMER REFERENCE ONLY UNLESS OTHERWISE SPECIFIED TOLERANCE ARE:		THESE DRAWINGS AND SPECIFICATIONS ARE THE PROPERTY OF ANOISON ELECTRONICS LTD AND SHOULD NOT BE USED WITHOUT WRITTEN PERMISSION COPYRIGHT © 2015 ANOISON ELECTRONICS LTD		TITLE	
.XX ±0.13 [.005"] .X ±0.20 [.008"] X ±0.50 [.019"] .X° ±1° X° ±2°				SMB RIGHT ANGLE JACK CRIMP FOR LMRI00/RG316/RG174 CABLE	
				VIEW	
				PART NO.	
				ANO I722-2001	
		SIZE	SCALE	SHEET	REV.
		A3	5:1	1/1	B