

**MATERIAL & FINISH:**

- 1 BODY: BRASS, GOLD PLATED
- 2 CENTER CONTACT: BERYLLIUM COPPER ALLOY, GOLD PLATED
- 3 OUTER CONTACT: BERYLLIUM COPPER ALLOY, GOLD PLATED
- 4 CRIMP FERRULE: BRASS, NICKEL PLATED
- 5 NUT: BRASS, GOLD PLATED
- 6 INSULATOR: PTFE

**MECHANICAL DATA:**

- 1 INTERFACE STANDARDS: IEC60169-10  
MIL-STD-348A

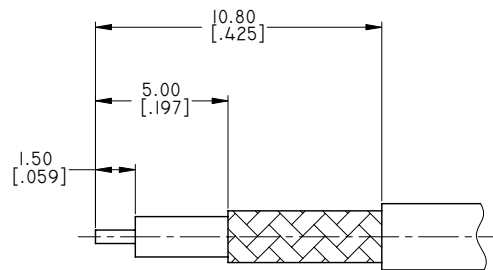
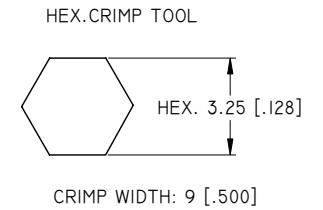
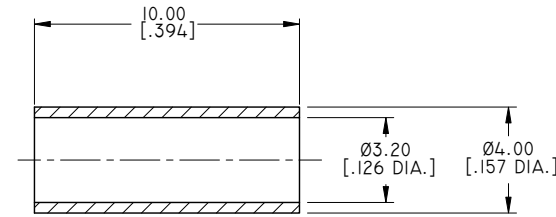
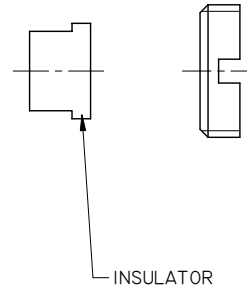
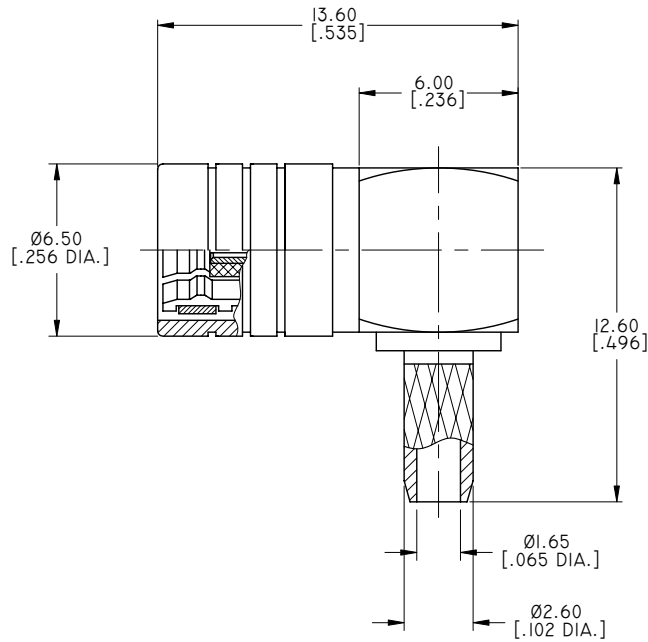
**ELECTRICAL DATA:**

- 1 IMPEDANCE: 50 Ω
- 2 FREQUENCY RANGE: DC~4 GHz

**ENVIRONMENTAL DATA:**

- 1 TEMPERATURE RANGE: -55°C~+125°C
- 2 2011/65/EU (RoHS): COMPLIANT

REVISIONS			
REV.	DESCRIPTION	DATE	APPROVED
A	INITIAL RELEASE	09/01/13	J. QU
B	CABLE STRIPPING DIMENSIONS CHANGED	08/12/15	J. QU
C	DRAWING FORMAT CHANGED	09/19/17	J. QU



CABLE STRIPPING DIMENSIONS

DRAWN	X. B. YANG	DATE	09/19/17
CHECKED	P. CHEN	DATE	09/19/17
APPROVED	J. QU	DATE	09/19/17
UNLESS OTHERWISE SPECIFIED DIMENSIONS ARE IN MILLIMETERS. DIMENSIONS IN [ ] ARE IN INCHES FOR CUSTOMER REFERENCE ONLY UNLESS OTHERWISE SPECIFIED TOLERANCE ARE:		THESE DRAWINGS AND SPECIFICATIONS ARE THE PROPERTY OF ANOISON ELECTRONICS LTD AND SHOULD NOT BE USED WITHOUT WRITTEN PERMISSION COPYRIGHT © 2017 ANOISON ELECTRONICS LTD	
.XX	±0.13 [.005"]		
.X	±0.20 [.008"]		
X	±0.50 [.019"]		
.X°	±1°		
X°	±2°		



TITLE			
SMB RIGHT ANGLE PLUG CRIMP FOR LMRI00/RG316/RG174 CABLE			
VIEW		PART NO.	
		ANO I721-2002	
SIZE	SCALE	SHEET	REV.
A3	5:1	I/1	C