

MATERIAL & FINISH:

- 1 BODY: BRASS, ALBALOY PLATED
- 2 CENTER CONTACT: BRASS, GOLD PLATED
- 3 INSULATOR: PTFE
- 4 FASTENING NUT: BRASS, ALBALOY PLATED
- 5 WASHER LOCK: BERYLLIUM COPPER ALLOY, ALBALOY PLATED
- 6 O-RING: SILICONE RUBBER

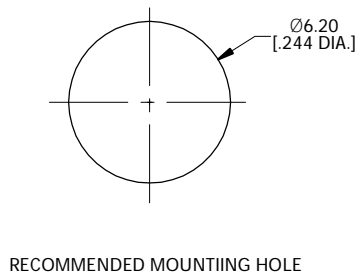
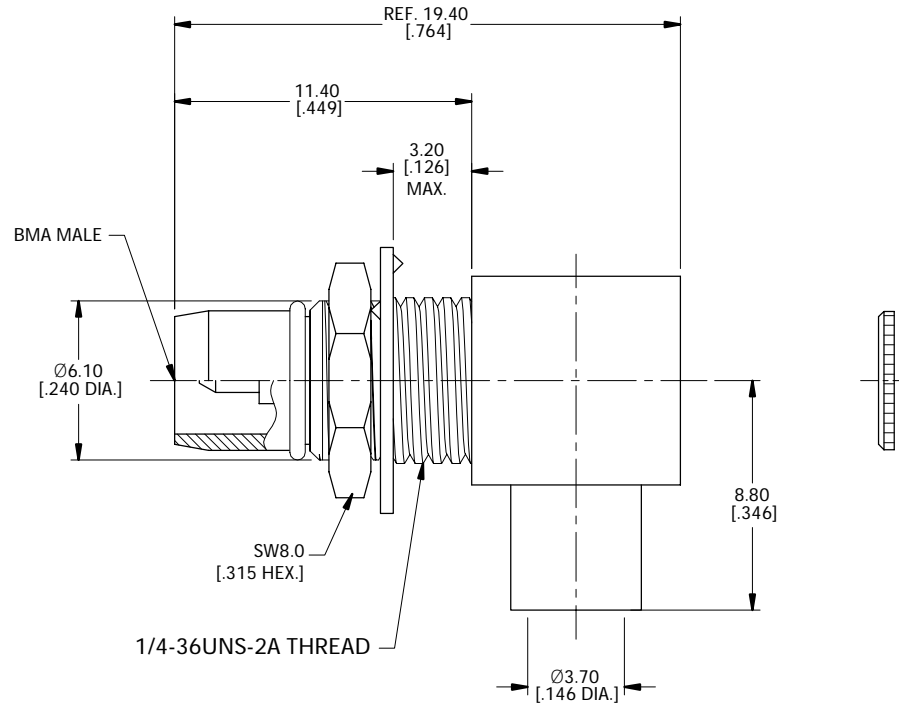
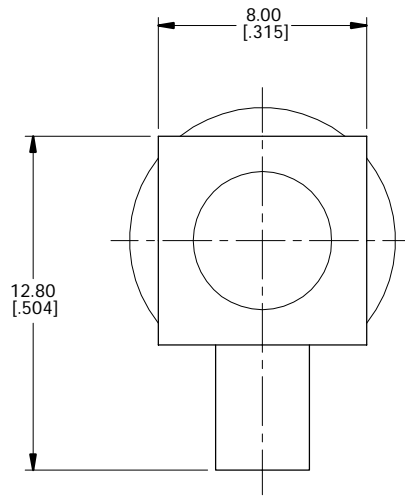
ENVIRONMENTAL DATA:

- 1 TEMPERATURE RANGE: -55°C ~+125°C
- 2 2011/65/EU(RoHS) AND 2015/863/(RoHS): COMPLIANT
- 3 1907/2006/EC(REACH): COMPLIANT

ELECTRICAL DATA:

- 1 IMPEDANCE: 50 Ω
- 2 FREQUENCY RANGE: DC~6 GHz

REVISIONS			
REV.	DESCRIPTION	DATE	APPROVED
A	INITIAL RELEASE	12/09/20	J. QU
B	PART NO. ANO 1421-3018 CHANGED TO ANO 1421-1018	12/17/20	J. QU



DRAWN	X. B. YANG	DATE	12/17/20
CHECKED	W. YANG	DATE	12/17/20
APPROVED	J. QU	DATE	12/17/20

UNLESS OTHERWISE SPECIFIED DIMENSIONS ARE IN MILLIMETERS. DIMENSIONS IN [] ARE IN INCHES FOR CUSTOMER REFERENCE ONLY UNLESS OTHERWISE SPECIFIED TOLERANCE ARE:

.XX	±0.13 [.005"]
.X	±0.20 [.008"]
X	±0.50 [.019"]
.X°	±1°
X°	±2°

THESE DRAWINGS AND SPECIFICATIONS ARE THE PROPERTY OF ANOISON ELECTRONICS LTD AND SHOULD NOT BE USED WITHOUT WRITTEN PERMISSION COPYRIGHT © 2020 ANOISON ELECTRONICS LTD



TITLE
BMA RIGHT ANGLE MALE BULKHEAD SOLDER FOR .141 CABLE

VIEW



PART NO.
ANO 1421-1018

SIZE	SCALE	SHEET	REV.
A3	5:1	1/1	B