

**MATERIAL & FINISH:**

- 1 BODY: BRASS, ALBALOY PLATED
- 2 CENTER CONTACT: BRASS, GOLD PLATED
- 3 INSULATOR: PTFE
- 4 FASTENING NUT: BRASS, ALBALOY PLATED
- 5 WASHER LOCK: BERYLLIUM COPPER ALLOY, ALBALOY PLATED
- 6 O-RING: SILICONE RUBBER

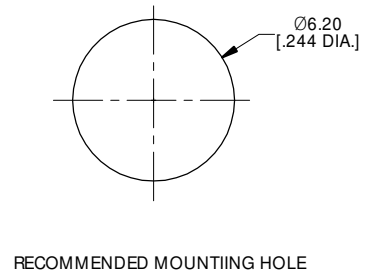
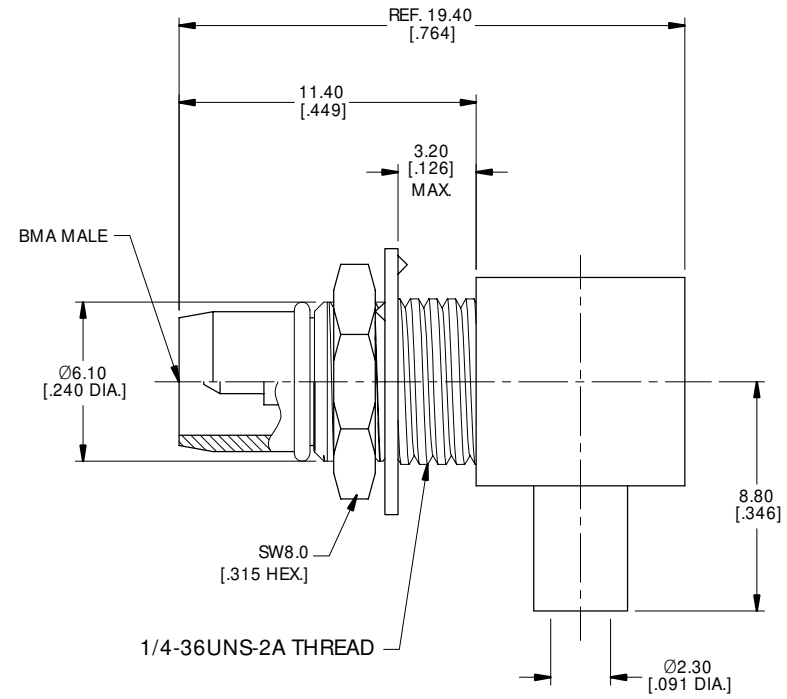
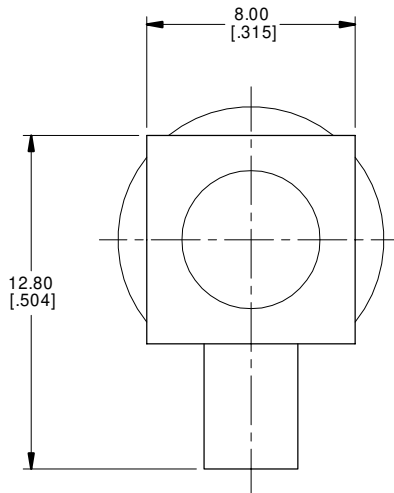
**ENVIRONMENTAL DATA:**

- 1 TEMPERATURE RANGE: -55°C~+125°C
- 2 2011/65/EU(RoHS) AND 2015/863/(RoHS): COMPLIANT
- 3 1907/2006/EC(REACH): COMPLIANT

**ELECTRICAL DATA:**

- 1 IMPEDANCE: 50 Ω
- 2 FREQUENCY RANGE: DC~6 GHz

REVISIONS			
REV.	DESCRIPTION	DATE	APPROVED
A	INITIAL RELEASE	12/09/20	J QU
B	PART NO. ANO 1421-3017 CHANGED TO ANO 1421-1017	12/17/20	J QU



DRAWN	X. B. YANG	DATE	12/17/20
CHECKED	W. YANG	DATE	12/17/20
APPROVED	J QU	DATE	12/17/20

UNLESS OTHERWISE SPECIFIED DIMENSIONS ARE IN MILLIMETERS. DIMENSIONS IN [ ] ARE IN INCHES FOR CUSTOMER REFERENCE ONLY UNLESS OTHERWISE SPECIFIED TOLERANCE ARE:

.xx	±0.13 [0.005"]
.x	±0.20 [0.008"]
X	±0.50 [0.019"]
.x°	±1°
x°	±2°

THESE DRAWINGS AND SPECIFICATIONS ARE THE PROPERTY OF ANOISON ELECTRONICS LTD AND SHOULD NOT BE USED WITHOUT WRITTEN PERMISSION COPYRIGHT © 2020 ANOISON ELECTRONICS LTD



TITLE  
BMA RIGHT ANGLE MALE BULKHEAD SOLDER FOR .086 CABLE

VIEW	PART NO. ANO 1421-1017			
	SIZE A3	SCALE 5:1	SHEET 1/1	REV. B