

**MATERIAL & FINISH:**

- 1 CENTER CONTACT: BERYLLIUM COPPER ALLOY, GOLD PLATED
- 2 BODY: STAINLESS STEEL, PASSIVATED
- 3 INSULATOR: PTFE

**ELECTRICAL DATA:**

- 1 IMPEDANCE: 50 Ω
- 2 FREQUENCY RANGE: DC~22 GHz
- 3 VSWR: 1.30 TYP./1.35 MAX.
- 4 INSERTION LOSS: 0.04\* √F dB MAX.

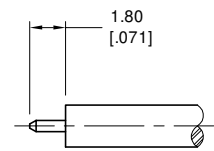
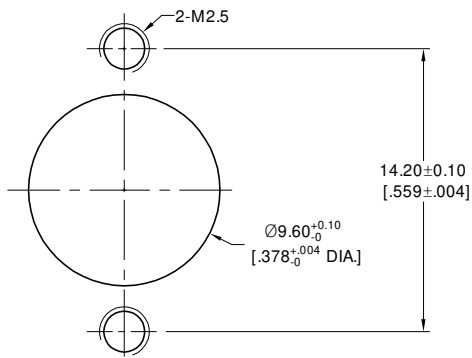
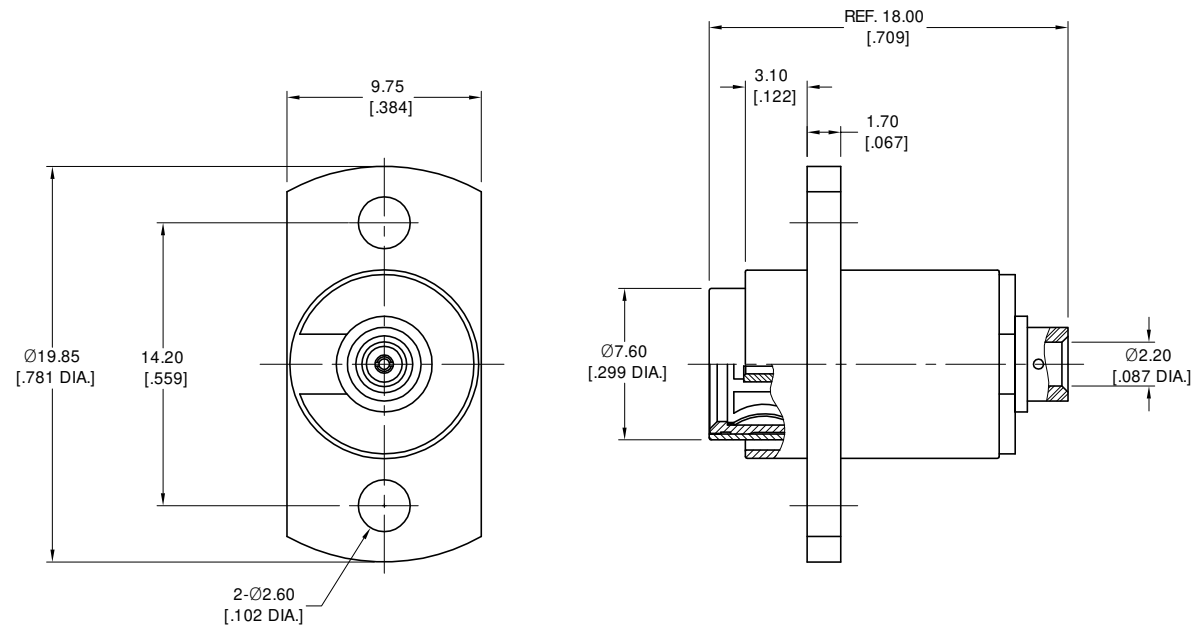
**MECHANICAL DATA:**

- 1 AXIAL FLOAT: 0~1.7 MM
- 2 RADIAL FLOTAT: 0~0.7 MM

**ENVIRONMENTAL DATA:**

- 1 TEMPERATURE RANGE: -55 °C~+125 °C
- 2 2011/65/EU(RoHS) AND 2015/863/(RoHS): COMPLIANT
- 3 1999/45/EC(REACH): COMPLIANT

REVISIONS			
REV.	DESCRIPTION	DATE	APPROVED
A	INITIAL RELEASE	06/08/20	J Q
B	VSWR:1.30 TYP./1.35 MAX.WAS VSWR:≤1.50 ADDED INSERTION LOSS	07/10/25	J Q



CABLE STRIPPING DIMENSIONS

DRAWN	P. C	DATE	07/10/25
CHECKED	X. Y	DATE	07/10/25
APPROVED	J Q	DATE	07/10/25
UNLESS OTHERWISE SPECIFIED DIMENSIONS ARE IN MILLIMETERS, DIMENSIONS IN [ ] ARE IN INCHES FOR CUSTOMER REFERENCE ONLY UNLESS OTHERWISE SPECIFIED TOLERANCE ARE:		THESE DRAWINGS AND SPECIFICATIONS ARE THE PROPERTY OF ANOISON ELECTRONICS LTD AND SHOULD NOT BE USED WITHOUT WRITTEN PERMISSION COPYRIGHT © 2025 ANOISON ELECTRONICS LTD	
XX	±0.13 [005"]		
X	±0.20 [008"]		
X	±0.50 [019"]		
X"	±1°		
X"	±2°		



TITLE			
BMA STRAIGHT JACK SLIDE-ON CONNECTOR SOLDER ATTACHMENT 2 HOLE FLANGE MOUNT FOR .086 CABLE, .559 INCH HOLE SPACING			
VIEW	PART NO.		
	ANO 1412-3015		
SIZE	SCALE	SHEET	REV.
A3	4:1	1/1	B