

4

3

2

1

MATERIAL & FINISH:

- 1 BODY: STAINLESS STEEL, PASSIVSTED
- 2 OUTER CONTACT: BERYLLIUM COPPER ALLOY, GOLD PLATED
- 3 CENTER CONTACT: BERYLLIUM COPPER ALLOY, GOLD PLATED
- 4 INSULATOR: PTFE

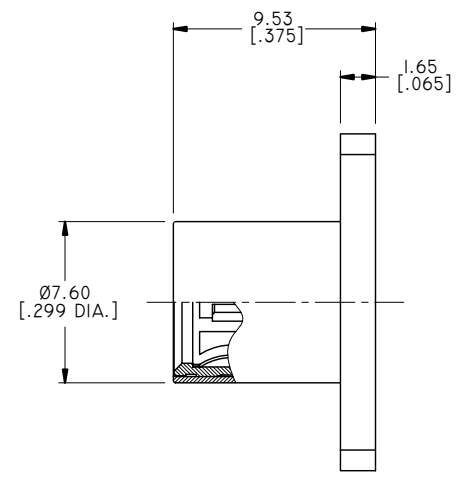
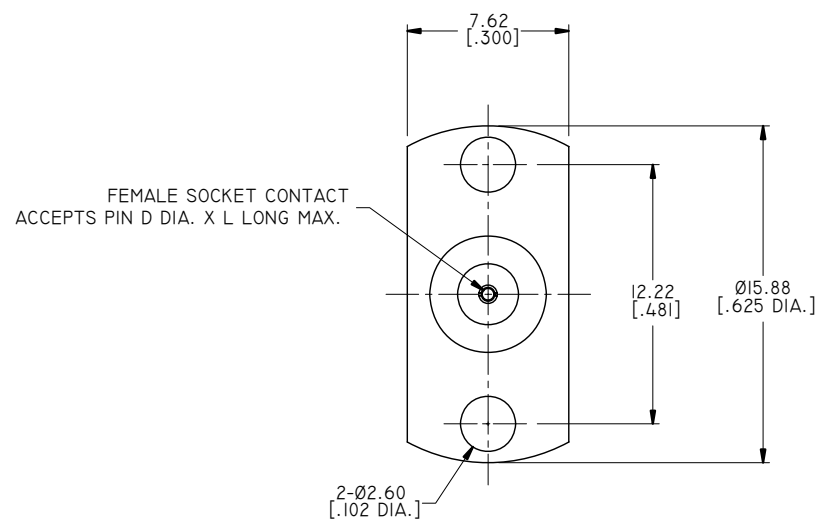
ELECTRICAL DATA:

- 1 IMPEDANCE: 50 Ω
- 2 FREQUENCY RANGE: DC~26.5 GHZ
- 3 VSWR: 1.20 MAX. AT DC TO 18 GHZ
1.35 MAX. AT 18 TO 26.5 GHZ
- 4 VOLTAGE RATING: 1000 V MAX.

ENVIRONMENTAL DATA:

- 1 TEMPERATURE RANGE: -55°C~+125°C
- 2 2011/65/EU(RoHS) AND 2015/863/(RoHS): COMPLIANT
- 3 1999/45/EC(REACH): COMPLIANT

REVISIONS			
REV.	DESCRIPTION	DATE	APPROVED
A	INITIAL RELEASE	05/26/14	J. QU
B	1. 2015/863/(RoHS): COMPLIANT ADDED 2. 1999/45/EC(REACH): COMPLIANT ADDED	09/21/18	J. QU



PART NO.	ACCEPT PIN D DIA.	L PIN DEPTH MAX.
ANO I4I2-3005-1	Ø0.41/Ø0.28 [.016/.011 DIA.]	2.54 [.100]
ANO I4I2-3005-2	Ø0.53/Ø0.43 [.021/.017 DIA.]	2.54 [.100]
ANO I4I2-3005-3	Ø0.94/Ø0.89 [.037/.035 DIA.]	2.54 [.100]

DRAWN	X. B. YANG	DATE	09/21/18
CHECKED	W. YANG	DATE	09/21/18
APPROVED	J. QU	DATE	09/21/18
UNLESS OTHERWISE SPECIFIED DIMENSIONS ARE IN MILLIMETERS, DIMENSIONS IN [] ARE IN INCHES FOR CUSTOMER REFERENCE ONLY UNLESS OTHERWISE SPECIFIED TOLERANCE ARE:		THESE DRAWINGS AND SPECIFICATIONS ARE THE PROPERTY OF ANOISON ELECTRONICS LTD AND SHOULD NOT BE USED WITHOUT WRITTEN PERMISSION COPYRIGHT © 2018 ANOISON ELECTRONICS LTD	
.XX	±0.13 [.005"]		
.X	±0.20 [.008"]		
X	±0.50 [.019"]		
.X°	±1°		
X°	±2°		



TITLE
BMA STRAIGHT JACK SLIDE-ON FIELD REPLACEABLE, 2 HOLE FLANGE MOUNT ACCEPT PIN, .481 INCH HOLE SPACING

VIEW	PART NO. ANO I4I2-3005		
	SIZE A3	SCALE 4:1	SHEET 1/1
	REV. B		

4

3

2

1