

MATERIAL & FINISH:

- 1 BODY: BRASS, GOLD PLATED
- 2 OUTER CONTACT: BERYLLIUM COPPER ALLOY, GOLD PLATED
- 3 CENTER CONTACT: BERYLLIUM COPPER ALLOY, GOLD PLATED
- 4 OTHER BODY PART: BRASS, NICKEL PLATED
- 5 INSULATOR: PTFE

ELECTRICAL DATA:

- 1 IMPEDANCE: 50 Ω
- 2 FREQUENCY RANGE: DC~6 GHz
- 3 VSWR: 1.30 MAX.
- 4 INSULATION RESISTANCE: ≥5 GΩ
- 5 CENTER CONTACT RESISTANCE: ≤2.0 mΩ
- 6 OUTER CONTACT RESISTANCE: ≤2.0 mΩ
- 7 TEST VOLTAGE: 1000 V RMS

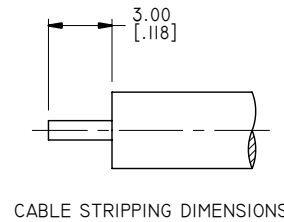
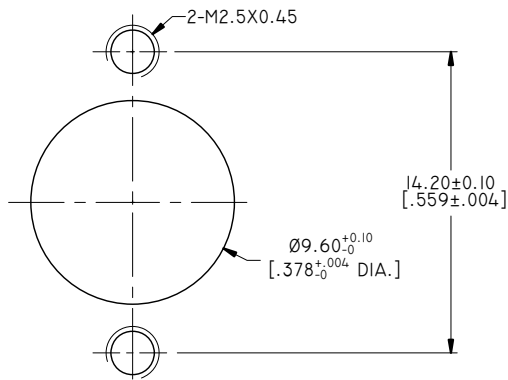
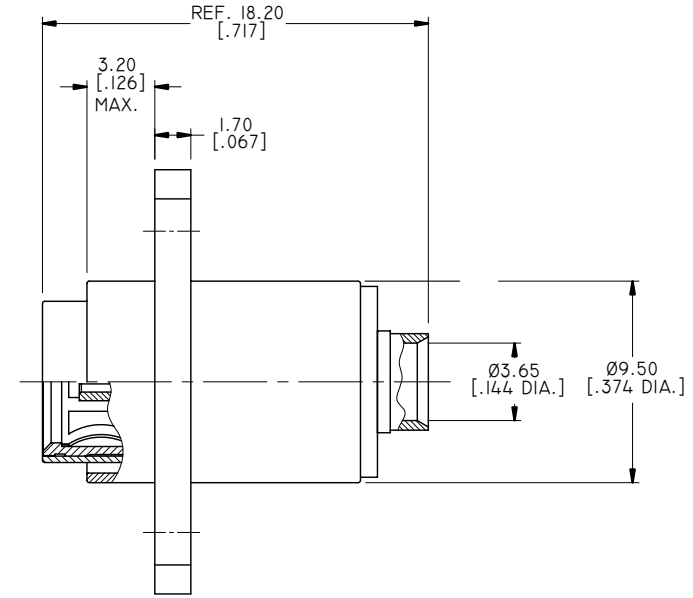
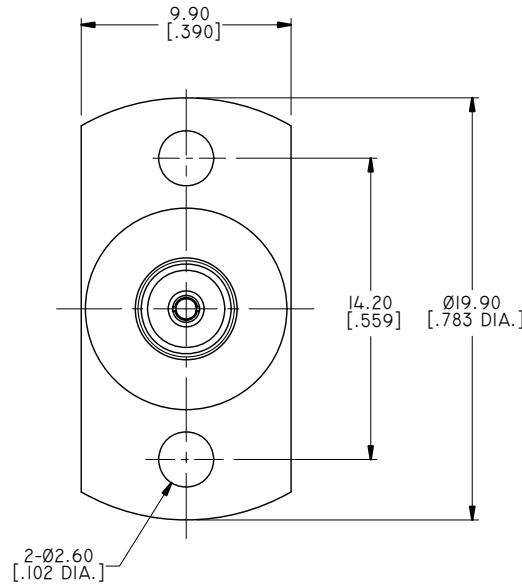
MECHANICAL DATA:

- 1 ENGAGEMENT FORCE: 13.5 N MAX.
- DISENGAGEMENT FORCE: 2 N MIN.

REVISIONS			
REV.	DESCRIPTION	DATE	APPROVED
A	INITIAL RELEASE	02/20/14	J. QU
B	1. 2015/863/(RoHS): COMPLIANT ADDED 2. 1999/45/EC(REACH): COMPLIANT ADDED	09/21/18	J. QU

ENVIRONMENTAL DATA:

- 1 TEMPERATURE RANGE: -55°C~+125°C
- 2 2011/65/EU(RoHS) AND 2015/863/(RoHS): COMPLIANT
- 3 1999/45/EC(REACH): COMPLIANT



RECOMMENDED MOUNTING HOLE

DRAWN	X. B. YANG	DATE	09/21/18
CHECKED	W. YANG	DATE	09/21/18
APPROVED	J. QU	DATE	09/21/18
UNLESS OTHERWISE SPECIFIED DIMENSIONS ARE IN MILLIMETERS. DIMENSIONS IN [] ARE IN INCHES FOR CUSTOMER REFERENCE ONLY UNLESS OTHERWISE SPECIFIED TOLERANCE ARE:		THESE DRAWINGS AND SPECIFICATIONS ARE THE PROPERTY OF ANOISON ELECTRONICS LTD AND SHOULD NOT BE USED WITHOUT WRITTEN PERMISSION COPYRIGHT © 2018 ANOISON ELECTRONICS LTD	
.XX	±0.13 [.005"]		
.X	±0.20 [.008"]		
X	±0.50 [.019"]		
.X°	±1°		
X°	±2°		



TITLE
BMA STRAIGHT JACK SLIDE-ON CONNECTOR SOLDER ATTACHMENT
2 HOLE FLANGE MOUNT FOR .141 CABLE, .559 INCH HOLE SPACING

VIEW	PART NO. ANO 1412-3002		
SIZE A3	SCALE 4:1	SHEET 1/1	REV. B