

4

3

2

1

MATERIAL & FINISH:

- 1 BODY: STAINLESS STEEL, PASSIVATED
- 2 CENTER CONTACT: BERYLLIUM COPPER ALLOY, GOLD PLATED
- 3 OUTER CONTACT: BERYLLIUM COPPER ALLOY, GOLD PLATED
- 4 OTHER BODY PART: BRASS, GOLD PLATED
- 5 INSULATOR: PTFE
- 6 SPRING: STAINLESS STEEL, PASSIVATED
- 7 RING: BERYLLIUM COPPER ALLOY, GOLD PLATED

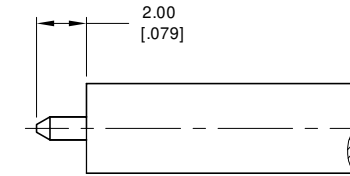
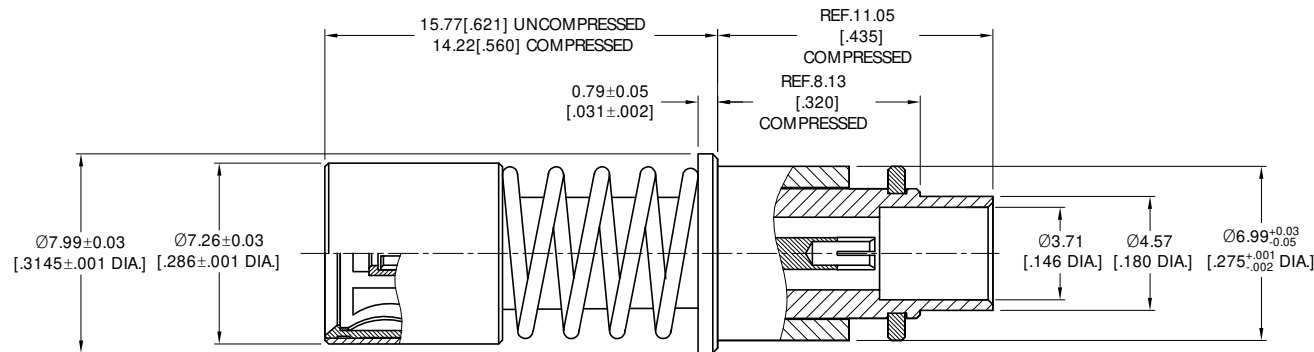
ELECTRICAL DATA:

- 1 IMPEDANCE: 50 Ω
- 2 FREQUENCY RANGE: DC~18 GHz
- 3 VSWR: ≤1.30

ENVIRONMENTAL DATA:

- 1 TEMPERATURE RANGE: -55°C~+125°C
- 2 2011/65/EU(RoHS) AND 2015/863/(RoHS): COMPLIANT
- 3 1999/2006/EC(REACH): COMPLIANT

REVISIONS			
REV.	DESCRIPTION	DATE	APPROVED
A	INITIAL RELEASE	08/05/24	J Q



CABLE STRIPPING DIMENSIONS

DRAWN	P. C	DATE	08/05/24
CHECKED	W. Y	DATE	08/05/24
APPROVED	J Q	DATE	08/05/24
UNLESS OTHERWISE SPECIFIED DIMENSIONS ARE IN MILLIMETERS, DIMENSIONS IN [] ARE IN INCHES FOR CUSTOMER REFERENCE ONLY UNLESS OTHERWISE SPECIFIED TOLERANCE ARE:		THESE DRAWINGS AND SPECIFICATIONS ARE THE PROPERTY OF ANOISON ELECTRONICS LTD AND SHOULD NOT BE USED WITHOUT WRITTEN PERMISSION COPYRIGHT © 2024 ANOISON ELECTRONICS LTD	
	XX	±0.13	[.005"]
	X	±0.20	[.008"]
	X	±0.50	[.019"]
	X"	±1°	
	X'	±2°	



TITLE			
BMA STRAIGHT JACK (FEMALE SOCKET) SOLDER FOR .141 CABLE FITS TO D38999 SIZE 8			
VIEW	PART NO.		
	ANO 1412-2042		
SIZE	SCALE	SHEET	REV.
A3	5:1	1/1	A

4

3

2

1