

4 3 2 1

MATERIAL & FINISH:

- 1. BODY : STAINLESS STEEL, GOLD PLATED
- 2. CENTER CONTACT: BERYLLIUM COPPER, GOLD PLATED
- 3. CONTACT SLEEVE: BERYLLIUM COPPER, GOLD PLATED
- 4. INSULATOR: PTFE
- 5. METAL GASKET: STAINLESS STEEL, GOLD PLATED
- 6. BUSHING CONTACT EXT: KOVAR, GOLD PLATED
- 7. GLASS SEAL: GLASS BEAD

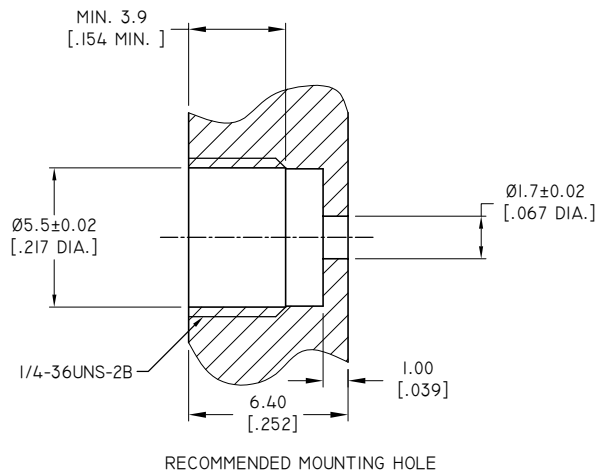
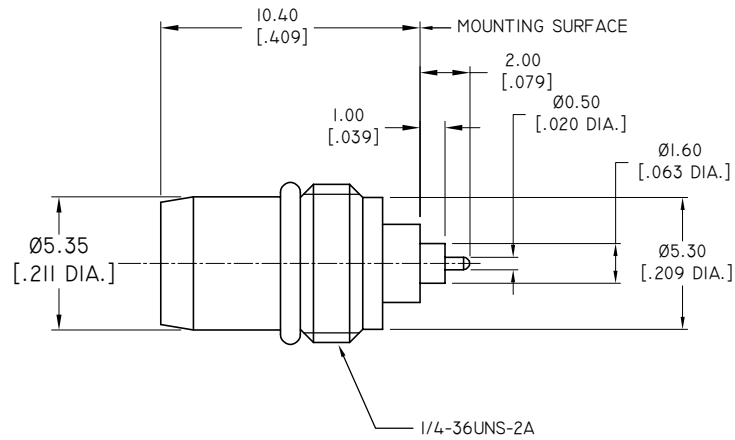
ELECTRICAL DATA:

- 1. IMPEDANCE: 50 Ω
- 2. FREQUENCY RANGE: DC~22 GHz
- 3. VSWR: ≤1.30

ENVIRONMENTAL DATA:

- 1. TEMPERATURE RANGE: -40°C~+85°C
- 2. 2011/65/EU(RoHS) AND 2015/863/(RoHS): COMPLIANT
- 3. 1999/45/EC(REACH): COMPLIANT

REVISIONS			
REV.	DESCRIPTION	DATE	APPROVED
A	INITIAL RELEASE	05/23/19	J. Q
B	FREQUENCY CHANGED	05/11/24	J. Q



DRAWN	W. Y	DATE	05/11/24
CHECKED	X. Y	DATE	05/11/24
APPROVED	J. Q	DATE	05/11/24
UNLESS OTHERWISE SPECIFIED DIMENSIONS ARE IN MILLINETERS, DIMENSIONS IN [] ARE IN INCHES FOR CUSTOMER REFERENCE ONLY UNLESS OTHERWISE SPECIFIED TOLERANCE ARE:		THESE DRAWINGS AND SPECIFICATIONS ARE THE PROPERTY OF ANOISON ELECTRONICS LTD AND SHOULD NOT BE USED WITHOUT WRITTEN PERMISSION COPYRIGHT © 2024 ANOISON	
.XX	±0.13 [0.005"]		
.X	±0.20 [0.008"]		
X	±0.50 [0.019"]		
.X°	±1°		
X°	±2°		

TITLE BMA STRAIGHT JACK THREAD-IN HERMETIC			
VIEW		PART NO. ANO 1411-5010	
SIZE A3	SCALE 5:1	SHEET 1/1	REV. B

4 3 2 1